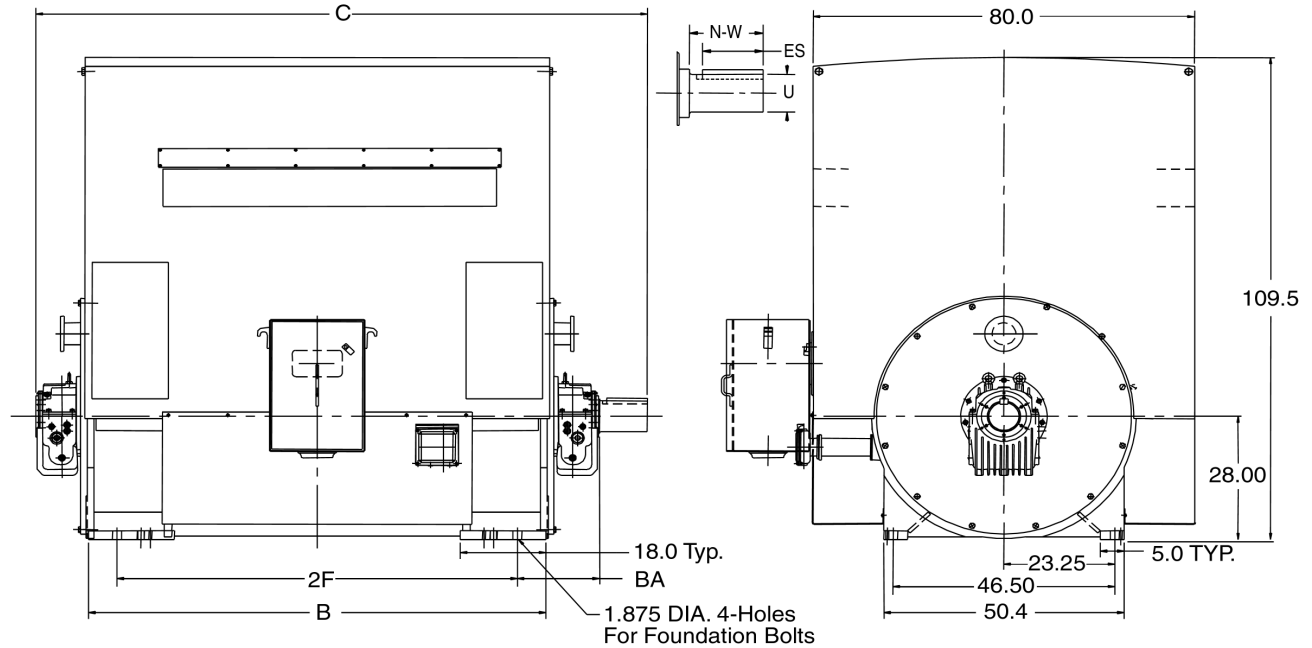


Dimension Prints for Above NEMA Motors ANSS-60000-0403

Type CGII – Horizontal – Weather Protected Type II
Sleeve Bearing – Direct Connected
Frames 1122 / 1124 – 2 Pole



Standard Dimensions in Inches

Shaft	Frame	Speed	B	BA	C	2F	N-W	R ²	S ³	U	V ⁴	ES	Approx. Ship Wt. (Lbs.)
Short	1122	2 Pole	88.0	15.50	114.9	76.0	9.00	4.550	1.25	5.25	8.60	7.75	30700
Short	1124	2 Pole	96.0	15.50	122.9	84.0	9.00	4.550	1.25	5.25	8.60	7.75	35500

Notes

- See Section 3 for selection of main terminal box.
- R = Bottom of key to opposite side of shaft.
- S = Width of keyseat.
- V = Length of shaft available for coupling.
- Jackscrew holes and dowel holes are provided at each foot.
- Shims may be necessary under motor feet for direct connection.
- All machines may rotate in one direction only.
- Rotor end float = 0.5"
- End float of LEF coupling = 0.19"
- For motors equipped with provisions for proximity probes use print in Part 3 of this section.

Lubrication Per Bearing
2 Pole
140-160 SUS @ 100°F
5.0 qt. capacity

Certification

Customer _____ P.O. _____ S.O. _____ Item _____

HP _____ RPM _____ FRAME _____ PH/HZ/Volts _____

Rotation Facing Shaft Extension CW CCW Either

By _____ Date _____

Not for construction, installation or application purposes unless certified.