

Pressure Measurement

Transmitters for applications with advanced requirements (Advanced)

SITRANS P DS III Accessories/Spare Parts

1

Selection and Ordering data	Article No.	Selection and Ordering data	Article No.
Replacement measuring cell for pressure for SITRANS P DS III	7MF4990 - ■ ■ ■ ■ 0 - 0 DB 0	Replacement measuring cell for absolute pressure for SITRANS P DS III (from the pressure series)	7MF4992 - ■ ■ ■ ■ 0 - 0 DB 0
↗ Click on the Article No. for the online configuration in the PIA Life Cycle Portal.		↗ Click on the Article No. for the online configuration in the PIA Life Cycle Portal.	
Measuring cell filling Measuring cell cleaning		Measuring cell filling Measuring cell cleaning	
Silicone oil Normal	1	Silicone oil Normal	1
Inert liquid grease-free to cleanliness level 2	3	Inert liquid grease-free to cleanliness level 2	3
Measured span (min. ... max.)		Measured span (min. ... max.)	
8.3 ... 250 mbar (0.12 ... 3.6 psi)	A	8.3 ... 250 mbar a (0.12 ... 3.62 psia)	D
0.01 ... 1 bar (0.15 ... 14.5 psi)	B	43 ... 1300 mbar a (0.62 ... 18.85 psia)	F
0.04 ... 4 bar (0.6 ... 58 psi)	C	0.16 ... 5 bar a (2.32 ... 72.5 psia)	G
0.16 ... 16 bar (2.32 ... 232 psi)	D	1 ... 30 bar a (14.5 ... 435 psia)	H
0.63 ... 63 bar (9.14 ... 914 psi)	E		
1.6 ... 160 bar (23.2 ... 2 320 psi)	F		
4.0 ... 400 bar (58.0 ... 5 802 psi)	G		
7.0 ... 700 bar (102.0 ... 10 153 psi)	J		
Wetted parts materials		Wetted parts materials	
Seal diaphragm Process connection		Seal diaphragm Process connection	
Stainless steel Stainless steel	A	Stainless steel Stainless steel	A
Hastelloy Stainless steel	B	Hastelloy Stainless steel	B
Hastelloy Hastelloy	C	Hastelloy Hastelloy	C
Process connection		Process connection	
• Connection shank G $\frac{1}{2}$ B to EN 837-1	0	• Connection shank G $\frac{1}{2}$ B to EN 837-1	0
• Female thread $\frac{1}{2}$ -14 NPT	1	• Female thread $\frac{1}{2}$ -14 NPT	1
• Oval flange made of stainless steel, max. span 160 bar (2320 psi)		• Oval flange made of stainless steel, max. span 160 bar (2320 psi)	
- Mounting thread $\frac{7}{16}$ -20 UNF to IEC 61518/DIN EN 61518	2	- Mounting thread $\frac{7}{16}$ -20 UNF to IEC 61518/DIN EN 61518	2
- Mounting thread M10 to DIN 19213	3	- Mounting thread M10 to DIN 19213	3
Further designs	Order code	Further designs	Order code
Please add "-Z" to Article No. and specify Order code.		Please add "-Z" to Article No. and specify Order code.	
Inspection certificate	C12	Inspection certificate	C12
to EN 10204-3.1		to EN 10204-3.1	

Pressure Measurement

Transmitters for applications with advanced requirements (Advanced)

SITRANS P DS III Accessories/Spare Parts

1

Selection and Ordering data	Article No.
Replacement measuring cell for absolute pressure (from the differential pressure series) for SITRANS P DS III with HART, DS III with PROFIBUS PA and DS III with FOUNDATION Fieldbus series	7MF4993 - - 0 DC 0
↗ Click on the Article No. for the online configuration in the PIA Life Cycle Portal.	
Measuring cell filling Measuring cell cleaning	
Silicone oil Normal	1
Inert liquid grease-free to cleanliness level 2	3
Measured span (min. ... max.)	
8.3 ... 250 mbar a (0.12 ... 3.62 psia)	D
43 ... 1300 mbar a (0.62 ... 18.85 psia)	F
0.16 ... 5 bar a (2.32 ... 72.5 psia)	G
1 ... 30 bar a (14.5 ... 435 psia)	H
5.3 ... 100 bar a (76.9 ... 1450 psia)	KE
Wetted parts materials	
Seal diaphragm Parts of measuring cell	
Stainless steel Stainless steel	A
Hastelloy Stainless steel	B
Hastelloy Hastelloy	C
Tantalum Tantalum	E
Monel Monel	H
Gold Gold	L
Process connection	
Female thread 1/4-18 NPT with flange connection	
• Sealing screw opposite process connection	
- Mounting thread M10 to DIN 19213	0
- Mounting thread 7/16-20 UNF to IEC 61518/DIN EN 61518	2
• Vent on side of process flange ¹⁾	
- Mounting thread M10 to DIN 19213	4
- Mounting thread 7/16-20 UNF to IEC 61518/DIN EN 61518	6
Non-wetted parts materials	
• Stainless steel process flange screws	2
Further designs	Order code
Please add "-Z" to Article No. and specify Order code.	
O-rings for process flanges (instead of FPM (Viton))	
• PTFE (Teflon)	A20
• FEP (with silicone core, approved for food)	A21
• FFPM (Kalrez, compound 4079), for measured medium temperatures -15 ... 100 °C (5 ... 212 °F)	A22
• NBR (Buna N)	A23
Inspection certificate to EN 10204-3.1	C12
Process connection G1/2B	D16
Remote seal flanges (not together with K01, K02 and K04)	D20
Vent on side for gas measurements	H02
Process flanges	
• without	K00
• with process flange made of	
- Hastelloy	K01
- Monel	K02
- Stainless steel with PVDF insert max. PN 10 (MAWP 145 psi) max. temperature of medium 90 °C (194 °F) For 1/2-14 NPT inner process connection on the side in the middle of the process flange, vent valve not possible	K04

¹⁾ Not for span 5.3 ... 100 bar (76.9 ... 1450 psi)

Selection and Ordering data	Article No.
Replacement measuring cell for differential pressure and PN 32/160 (MAWP 464/2320 psi) for SITRANS P DS III with HART, DS III with PROFIBUS PA and DS III with FOUNDATION Fieldbus series	7MF4994 - - 0 DC 0
↗ Click on the Article No. for the online configuration in the PIA Life Cycle Portal.	
Measuring cell filling Measuring cell cleaning	
Silicone oil Normal	1
Inert liquid grease-free to cleanliness level 2	3
Measured span (min. ... max.)	
PN 32 (MAWP 464 psi)	
1 ... 20 mbar ¹⁾ (0.4 ... 8 inH ₂ O)	B
PN 160 (MAWP 2320 psi)	
1 ... 60 mbar (0.4 ... 24 inH ₂ O)	C
2.5 ... 250 mbar (1 ... 100 inH ₂ O)	D
6 ... 600 mbar (2.4 ... 240 inH ₂ O)	E
16 ... 1600 mbar (6.4 ... 642 inH ₂ O)	F
50 ... 5000 mbar (20 ... 2000 inH ₂ O)	G
0.3 ... 30 bar (4.35 ... 435 psi)	H
Wetted parts materials (stainless steel process flanges)	
Seal diaphragm Parts of measuring cell	
Stainless steel Stainless steel	A
Hastelloy Stainless steel	B
Hastelloy Hastelloy	C
Tantalum ²⁾ Tantalum	E
Monel ²⁾ Monel	H
Gold ²⁾ Gold	L
Process connection	
Female thread 1/4-18 NPT with flange connection	
• Sealing screw opposite process connection	
- Mounting thread M10 to DIN 19213	0
- Mounting thread 7/16-20 UNF to IEC 61518/DIN EN 61518	2
• Vent on side of process flange	
- Mounting thread M10 to DIN 19213	4
- Mounting thread 7/16-20 UNF to IEC 61518/DIN EN 61518	6
Non-wetted parts materials	
Stainless steel process flange screws	2
Further designs	Order code
Please add "-Z" to Article No. and specify Order code.	
O-rings for process flanges (instead of FPM (Viton))	
• PTFE (Teflon)	A20
• FEP (with silicone core, approved for food)	A21
• FFPM (Kalrez, compound 4079), for measured medium temperatures -15 ... 100 °C (5 ... 212 °F)	A22
• NBR (Buna N)	A23
Inspection certificate to EN 10204-3.1	C12
Remote seal flanges (not together with K01, K02 and K04)	D20
Vent on side for gas measurements	H02
Stainless steel process flanges for vertical differential pressure lines (not together with K01, K02 and K04)	H03
Process flanges	
• without	K00
• with process flange made of	
- Hastelloy	K01
- Monel	K02
- Stainless steel with PVDF insert, max. PN 10 (MAWP 145 psi), max. temperature of medium 90 °C (194 °F). For 1/2-14 NPT inner process connection on the side in the middle of the process flange, vent valve not possible	K04

¹⁾ Not suitable for connection of remote seal

²⁾ Only together with max. spans 250, 1600, 5000 and 30000 mbar (100 inH₂O, 642 inH₂O, 2000 inH₂O and 435 psi).

Selection and Ordering data	Article No.
Replacement measuring cell for differential pressure and PN 420 (MAWP 6092 psi) for SITRANS P DS III with HART, DS III with PROFIBUS PA and DS III with FOUNDATION Fieldbus series ↗ Click on the Article No. for the online configuration in the PIA Life Cycle Portal.	7MF4995 - - 0 DC 0
Measuring cell filling Measuring cell cleaning Silicone oil Normal	1
Measured span (min. ... max.) 2.5 ... 250 mbar (1 ... 100 inH ₂ O) 6 ... 600 mbar (2.4 ... 240 inH ₂ O) 16 ... 1600 mbar (6.4 ... 642 inH ₂ O) 50 ... 5000 mbar (20 ... 2000 inH ₂ O) 0.3 ... 30 bar (4.35 ... 435 psi)	D E F G H
Wetted parts materials (stainless steel process flanges) Seal diaphragm Parts of measuring cell Stainless steel Stainless steel Hastelloy Stainless steel Gold ¹⁾ Gold	A B L
Process connection Female thread ¼-18 NPT with flange connection • Sealing screw opposite process connection - Mounting thread M12 to DIN 19213 - Mounting thread 7/16-20 UNF to IEC 61518/DIN EN 61518 • Vent on side of process flange - Mounting thread M12 to DIN 19213 - Mounting thread 7/16-20 UNF to IEC 61518/DIN EN 61518	1 3 5 7
Non-wetted parts materials • Stainless steel process flange screws	2
Further designs Please add "-Z" to Article No. and specify Order code.	Order code
O-rings for process flanges (instead of FPM (Viton)) • PTFE (Teflon) • FEP (with silicone core, approved for food) • FFPM (Kalrez, compound 4079), for measured medium temperatures -15 ... 100 °C (5 ... 212 °F) • NBR (Buna N)	A20 A21 A22 A23
Inspection certificate to EN 10204-3.1	C12
Stainless steel process flanges for vertical differential pressure lines	H03
without process flanges	K00

¹⁾ Not together with max. span 600 mbar (240 inH₂O)

Pressure Measurement

Transmitters for applications with advanced requirements (Advanced)

SITRANS P DS III Accessories/Spare Parts

Selection and Ordering data	Article No.	Selection and Ordering data	Article No.
<i>Spare parts/Accessories</i>			
Mounting bracket and fastening parts for pressure transmitters SITRANS P DS III with HART, DS III with PROFIBUS PA and DS III with FOUNDATION Fieldbus (7MF403-.....-..C.) For absolute pressure transmitters SITRANS P DS III with HART, DS III with PROFIBUS PA and DS III with FOUNDATION Fieldbus (7MF423-.....-..C.) <ul style="list-style-type: none"> made of steel made of stainless steel 304/1.4301 made of stainless steel 316L/1.4404 	7MF4997-1AB 7MF4997-1AH 7MF4997-1AP	Digital indicator Including mounting material for SITRANS P DS III with HART, DS III with PROFIBUS PA and DS III with FOUNDATION Fieldbus 7MF4997-1BR	
Mounting bracket and fastening parts for pressure transmitters SITRANS P DS III with HART, DS III with PROFIBUS PA and DS III with FOUNDATION Fieldbus (7MF403-.....-..A., ..B., ..D. and ..F.) For absolute pressure transmitters SITRANS P DS III with HART, DS III with PROFIBUS PA and DS III with FOUNDATION Fieldbus (7MF423-.....-..A., ..B., ..D. and ..F.) <ul style="list-style-type: none"> made of steel made of stainless steel 304/1.4301 made of stainless steel 316L/1.4404 	7MF4997-1AC 7MF4997-1AJ 7MF4997-1AQ	Measuring point label <ul style="list-style-type: none"> without inscription (5 units) Printed (1 unit) Data according to Y01 or Y02, Y15, Y16 and Y99 (see "Pressure transmitters") 7MF4997-1CA 7MF4997-1CB-Z Y... ..	
Mounting and fastening brackets For differential pressure transmitters with flange thread M10 SITRANS P DS III with HART, DS III with PROFIBUS PA and DS III with FOUNDATION Fieldbus (7MF433-.... and 7MF443-....) <ul style="list-style-type: none"> made of steel made of stainless steel 304/1.4301 made of stainless steel 316L/1.4404 	7MF4997-1AD 7MF4997-1AK 7MF4997-1AR	Mounting screws For measuring point label, grounding and connection terminals or for display (50 units) 7MF4997-1CD	
Mounting and fastening brackets For differential pressure transmitters with flange thread M12 SITRANS P DS III with HART, DS III with PROFIBUS PA and DS III with FOUNDATION Fieldbus (7MF453-....) <ul style="list-style-type: none"> made of steel made of stainless steel 304/1.4301 made of stainless steel 316L/1.4404 	7MF4997-1AE 7MF4997-1AL 7MF4997-1AS	Sealing screws (1 set = 2 units) for process flange <ul style="list-style-type: none"> made of stainless steel made of Hastelloy 7MF4997-1CG 7MF4997-1CH	
Mounting and fastening brackets For differential and absolute pressure transmitters with flange thread 7/16 -20 UNF SITRANS P DS III with HART, DS III with PROFIBUS PA and DS III with FOUNDATION Fieldbus (7MF433-...., 7MF443-.... and 7MF453-....) <ul style="list-style-type: none"> made of steel made of stainless steel 304/1.4301 made of stainless steel 316L/1.4404 	7MF4997-1AF 7MF4997-1AM 7MF4997-1AT	Sealing screws with vent valve Complete (1 set = 2 units) <ul style="list-style-type: none"> made of stainless steel made of Hastelloy 7MF4997-1CP 7MF4997-1CQ	
Cover Made of die-cast aluminum, including gasket, for SITRANS P DS III with HART, DS III with PROFIBUS PA and DS III with FOUNDATION Fieldbus. Compatible for Ex and non-Ex transmitters <ul style="list-style-type: none"> without window with window 	7MF4997-1BB 7MF4997-1BE	Application electronics <ul style="list-style-type: none"> for SITRANS P DS III with HART for SITRANS P DS III with PROFIBUS PA for SITRANS P DS III with FOUNDATION Fieldbus 7MF4997-1DK 7MF4997-1DL 7MF4997-1DM	
Cover Made of stainless steel, including gasket, for SITRANS P DS III with HART, DS III with PROFIBUS PA and DS III with FOUNDATION Fieldbus. Compatible for Ex and non-Ex transmitters <ul style="list-style-type: none"> without window with window 	7MF4997-1BC 7MF4997-1BF	Connection board <ul style="list-style-type: none"> for SITRANS P DS III for SITRANS P DS III PROFIBUS PA and FOUNDATION Fieldbus 7MF4997-1DN 7MF4997-1DP	
		O-rings for process flanges made of: <ul style="list-style-type: none"> FPM (Viton) PTFE (Teflon) FEP (with silicone core, approved for food) FFPM (Kalrez, compound 4079) NBR (Buna N) 7MF4997-2DA 7MF4997-2DB 7MF4997-2DC 7MF4997-2DD 7MF4997-2DE	
		Sealing ring for process connection see "Fittings"	
		Weldable sockets for PMC connection <ul style="list-style-type: none"> PMC Style Standard: Thread 1½" PMC Style Minibolt: front-flush 1" 7MF4997-2HA 7MF4997-2HB	
		Gaskets for PMC connection (packing unit = 5 units) <ul style="list-style-type: none"> PTFE seal for PMC Style Standard: Thread 1½" Gasket made of Viton for PMC Style Minibolt: front-flush 1" 7MF4997-2HC 7MF4997-2HD	
		Weldable socket for TG52/50 and TG52/150 connection <ul style="list-style-type: none"> TG52/50 connection TG52/150 connection 7MF4997-2HE 7MF4997-2HF	
		Seals for TG 52/50 and TG 52/150 made of silicone (FDA compliant) 7MF4997-2HG	
		Seals for flange connection with front-flush diaphragm Material FKM (Viton); temperature range: -20 ... +200 °C (-4 ... +392 °F), 10 units <ul style="list-style-type: none"> DN 25, PN 40 (M11) 1", class 150 (M40) 7MF4997-2HH 7MF4997-2HK	

Selection and Ordering data	Article No.
<p>Documentation</p> <p>The entire documentation is available for download free-of-charge in various languages at: http://www.siemens.com/processinstrumentation/documentation</p> <p>Compact operating instructions SITRANS P DS III/P410</p> <ul style="list-style-type: none"> • English, German, Spanish, French, Italian, Dutch 	A5E03434626
<p>Certificates (order only via SAP) instead of Internet download</p> <ul style="list-style-type: none"> • hard copy (to order) • on DVD (to order) 	A5E03252406 A5E03252407
<p>HART modem with USB interface</p>	7MF4997-1DB

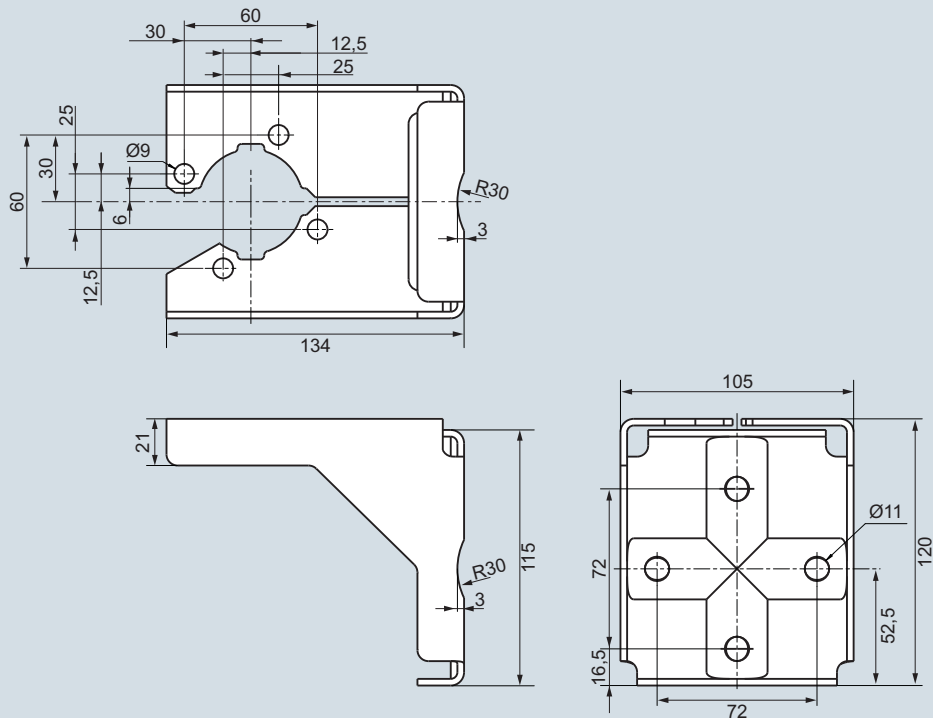
Power supply units see Chap. 7 "Supplementary Components".

Pressure Measurement

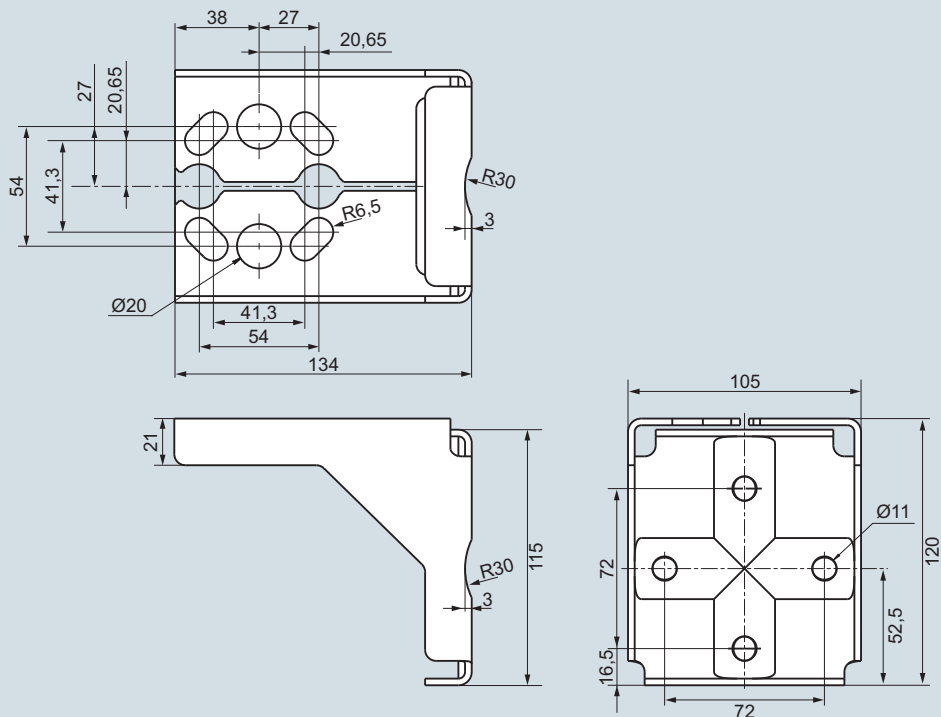
Transmitters for applications with advanced requirements (Advanced)

SITRANS P DS III Accessories/Spare Parts

Dimensional drawings



Mounting bracket for SITRANS P DS III, SITRANS P410 and SITRANS P280 gauge and absolute pressure-transmitters, dimensions in mm
mounting bracket material: Sheet-steel Mat. No. 1.0330, chrome-plated, or stainless steel Mat. No. 1.4301 (304)



Mounting bracket for SITRANS P DS III and SITRANS P410 differential pressure transmitter, dimensions in mm
mounting bracket material: Sheet-steel Mat. No. 1.0330, chrome-plated, or stainless steel Mat. No. 1.4301 (304)

SITRANS P DS III - Factory-mounting of valve manifolds on transmitters

Overview

SITRANS P transmitters

- DS III for relative and absolute pressure (both designs) and
- DS III for differential pressure

can be delivered factory-fitted with the following valve manifolds:

- 7MF9011-4EA and 7MF9011-4FA valve manifolds for gauge pressure and absolute pressure transmitters
- 7MF9411-5BA and 7MF9411-5CA valve manifolds for absolute pressure and differential pressure transmitters

Design

The 7MF9011-4EA valve manifolds are sealed with gaskets made of PTFE between transmitter and the valve manifold as standard. Soft iron, stainless steel and copper gaskets are also available for sealing purposes if preferred.

The 7MF9011-4FA valve manifolds are sealed with PTFE sealing tape between the transmitter and the valve manifold.

The 7MF9411-5BA and 7MF9411-5CA valve manifolds are sealed with PTFE sealing rings between the transmitter and the valve manifold.

Once installed, the complete unit is checked under pressure for leaks (compressed air 6 bar (87 psi)) and is certified leak-proof with a test report to EN 10204 - 2.2.

All valve manifolds should preferably be secured with the respective mounting brackets. The transmitters are mounted on the valve manifold and not on the unit itself.

If you order a mounting bracket when choosing the option "Factory mounting of valve manifolds", you will receive a mounting bracket for the valve manifold instead of a bracket for mounting the transmitter.

If you order an acceptance test certificate 3.1 to EN 10204 when choosing the option "Factory mounting of valve manifolds", a separate certificate is provided for the transmitters and the valve manifolds respectively.

Selection and Ordering data**7MF9411-5AA
valve manifold for relative and absolute pressure transmitters**

Add „-Z” to the Article No. of the transmitter and add order codes.

SITRANS P DSIII
7MF403-...2-..., 7MF423-...2-... ,
7MF403-...3-..., 7MF423-...3-... ,
7MF403-...4-..., 7MF423-...4-...

With process connection oval flange with PTFE gasket and **steel** mounting screws.

Delivery including high-pressure test certified by factory certificate according to EN 10204-2.2

Additional versions:

Delivery includes mounting brackets and mounting clips made of stainless steel (instead of the mounting bracket supplied with the transmitter)

Supplied acceptance test certificate to EN 10204- 3.1 for transmitters and mounted valve manifold

With manufacturer declaration according to NACE, MR-0175

Order code

T05

A02

C12

D07

**7MF9411-5AA
valve manifold for relative and absolute pressure transmitters**

Add „-Z” to the Article No. of the transmitter and add order codes.

SITRANS P DSIII
7MF403-...2-..., 7MF423-...2-... ,
7MF403-...3-..., 7MF423-...3-... ,
7MF403-...4-..., 7MF423-...4-...

With process connection oval flange with PTFE gasket and **stainless steel** mounting screws.

Delivery including high-pressure test certified by factory certificate according to EN 10204-2.2

Additional versions:

Delivery includes mounting brackets and mounting clips made of stainless steel (instead of the mounting bracket supplied with the transmitter)

Supplied acceptance test certificate to EN 10204- 3.1 for transmitters and mounted valve manifold

With manufacturer declaration according to NACE, MR-0175

Order code

T06

A02

C12

D07

Pressure Measurement

Transmitters for applications with advanced requirements (Advanced)

SITRANS P DS III - Factory-mounting of valve manifolds on transmitters

1

7MF9011-4FA

valve manifold on relative and absolute pressure transmitters



Add **-Z** to the Article No. of the transmitter and add Order codes

SITRANS P DSIII
7MF403-...1-...1, 7MF423-...1-...
With process connection
female thread 1/2-14 NPT
in-sealed with PTFE sealing tape
Delivery incl. high-pressure test certified
by test report to EN 10204-2.2

Order
code

T03

Further designs:

Delivery includes mounting brackets and
mounting clips made of stainless steel
(instead of the mounting bracket supplied
with the transmitter)

A02

Supplied acceptance test certificate to
EN 10204- 3.1 for transmitters and
mounted valve manifold

C12

With manufacturer declaration according
to NACE, MR-0175

D07

7MF9011-4EA

valve manifold on relative and absolute pressure transmitters



Add **-Z** to the Article No. of the transmitter and add Order codes

SITRANS P DSIII
7MF403-...0-...0, 7MF423-...0-...
with process connection
collar G1/2 A to EN 837-1
with gasket made of PTFE between valve
manifold and transmitter

Order
code

T02

Alternative sealing material:

- Soft iron
- Stainless steel, Mat. No. 14571
- copper

A70

A71

A72

Delivery incl. high-pressure test certified
by test report to EN 10204-2.2

Further designs:

Delivery includes mounting brackets and
mounting clips made of stainless steel
(instead of the mounting bracket supplied
with the transmitter)

A02

Supplied acceptance test certificate to
EN 10204- 3.1 for transmitters and
mounted valve manifold

C12

With manufacturer declaration according
to NACE, MR-0175

D07

7MF9411-5BA

valve manifold on absolute and differential pressure transmitters



Add **-Z** to the Article No. of the transmitter and add Order codes

SITRANS P DSIII
7MF433-...1, 7MF443-... and
7MF453-...¹⁾
mounted with gaskets made of PTFE and
screws made of
• chromized steel
• made of stainless steel
Delivery incl. high-pressure test certified
by test report to EN 10204-2.2

Order
code

U01

U02

Further designs:

Delivery includes mounting bracket and
mounting clips made of
• Steel
• Stainless steel
(instead of the mounting bracket supplied
with the transmitter)

A01

A02

Supplied acceptance test certificate to
EN 10204-3.1 for transmitters and
mounted valve manifold

C12

With manufacturer declaration according
to NACE, MR-0175

D07

7MF9411-5CA

valve manifold on differential pressure transmitters



Add **-Z** to the Article No. of the transmitter and add Order codes

SITRANS P DSIII
7MF443-... and 7MF453-...¹⁾
mounted with gaskets made of PTFE and
screws made of
• chromized steel
• Stainless steel
Delivery incl. high-pressure test certified
by test report to EN 10204-2.2

Order
code

U03

U04

Further designs:

Delivery includes mounting bracket and
mounting clips made of
• Steel
• Stainless steel
(instead of the mounting bracket supplied
with the transmitter)

A01

A02

Supplied acceptance test certificate to
EN 10204-3.1 for transmitters and
mounted valve manifold

C12

With manufacturer declaration according
to NACE, MR-0175

D07

¹⁾ For 7MF453-... transmitters, you require a 7/10-20 UNF connection thread in the process flange

Dimensional drawings

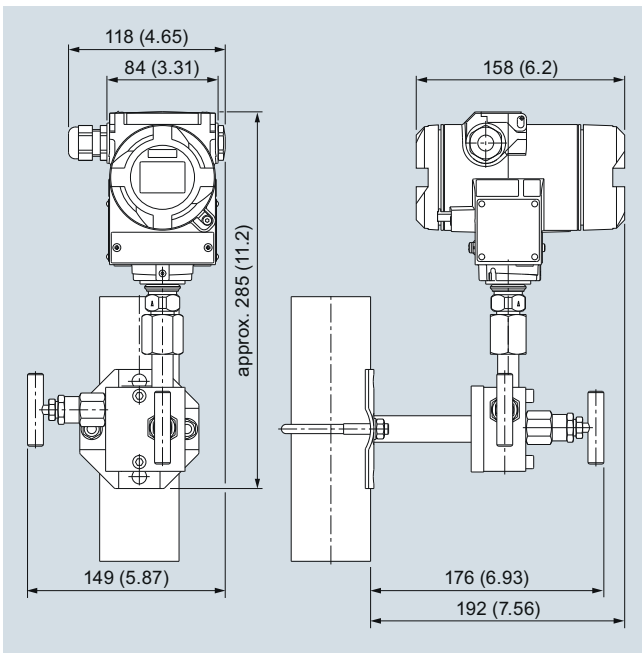
Valve manifolds mounted on SITRANS P DS III



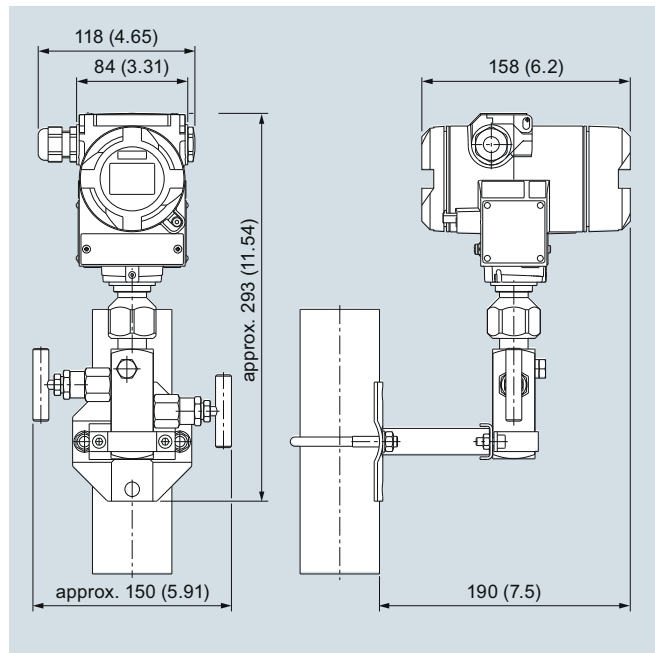
7MF9011-4EA valve manifold with mounted gauge pressure and absolute pressure transmitters



7MF9011-4FA valve manifold with mounted gauge pressure and absolute pressure transmitters



7MF9011-4EA valve manifold with mounted gauge pressure and absolute pressure transmitters, dimensions in mm (inch)



7MF9011-4FA valve manifold with mounted gauge pressure and absolute pressure transmitters, dimensions in mm (inch)

Pressure Measurement

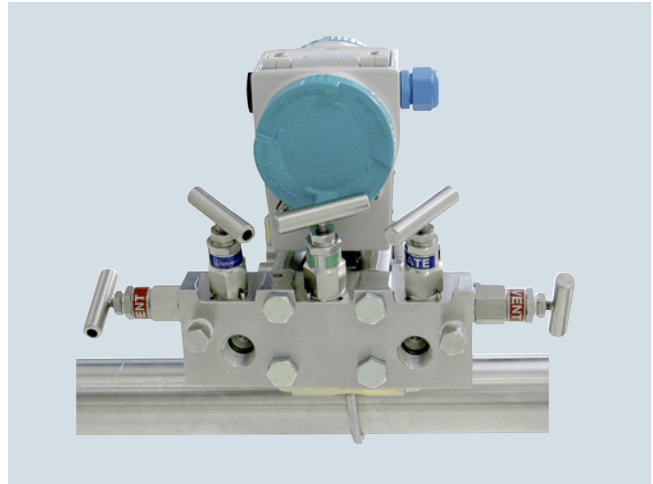
Transmitters for applications with advanced requirements (Advanced)

1

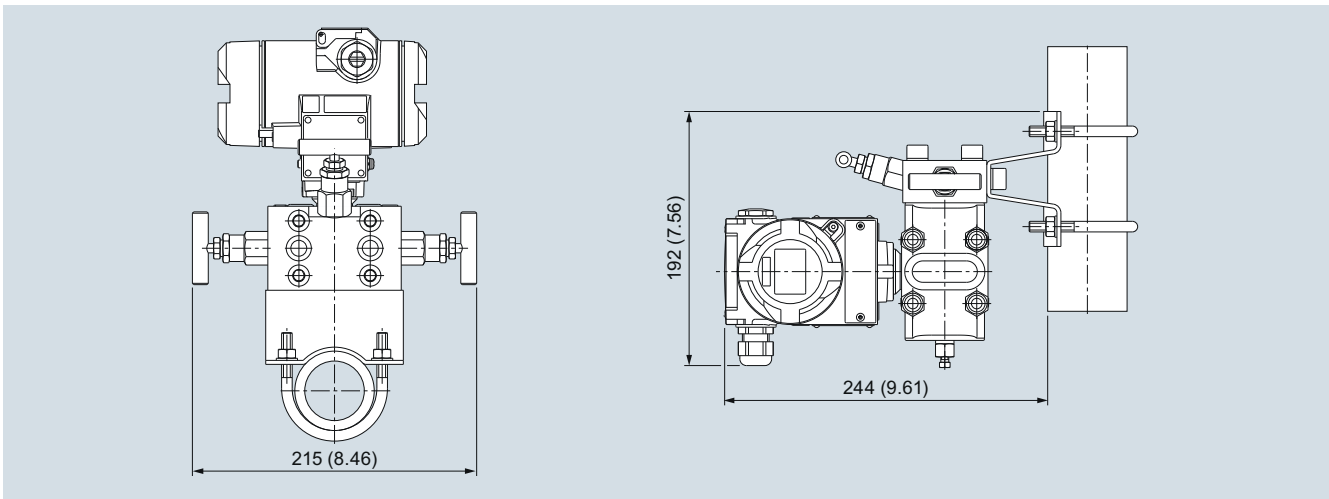
SITRANS P DS III - Factory-mounting of valve manifolds on transmitters



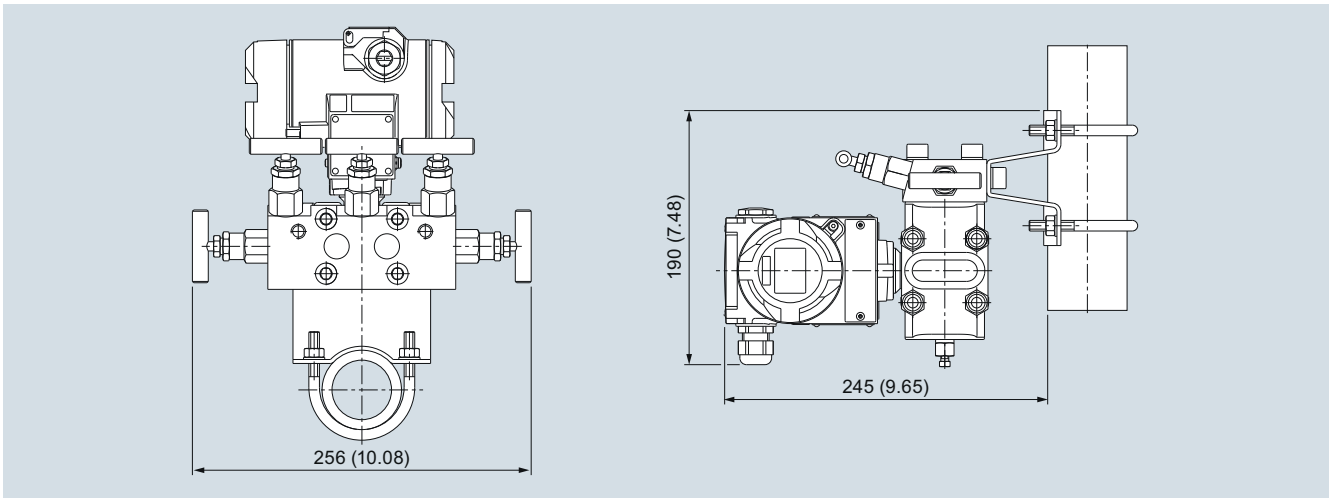
7MF9411-5BA valve manifold with mounted differential pressure transmitter



7MF9411-5CA valve manifold with mounted differential pressure transmitter



7MF9411-5BA valve manifold with mounted differential pressure transmitter, dimensions in mm (inch)



7MF9411-5CA valve manifold with mounted differential pressure transmitter, dimensions in mm (inch)