

**Overview**

Temperature sensors of the SITRANS TS500 product family are used to measure temperatures in industrial equipment.

**Benefits**

The modular design makes it possible to customize the temperature sensor for most applications, while still being able to use many standardized individual components.

***SITRANS TS500 Temperature sensors as a modular system***

Due to their modular design, temperature sensors of the SITRANS TS500 series are well suited to a large number of applications.

The replaceable measuring insert makes it possible to conduct maintenance work even during ongoing operations. These devices are used particularly frequently in vessels and pipelines of the following industries:

- Power plants
- Chemical industry
- Petrochemical industry
- General process engineering
- Water, waste water

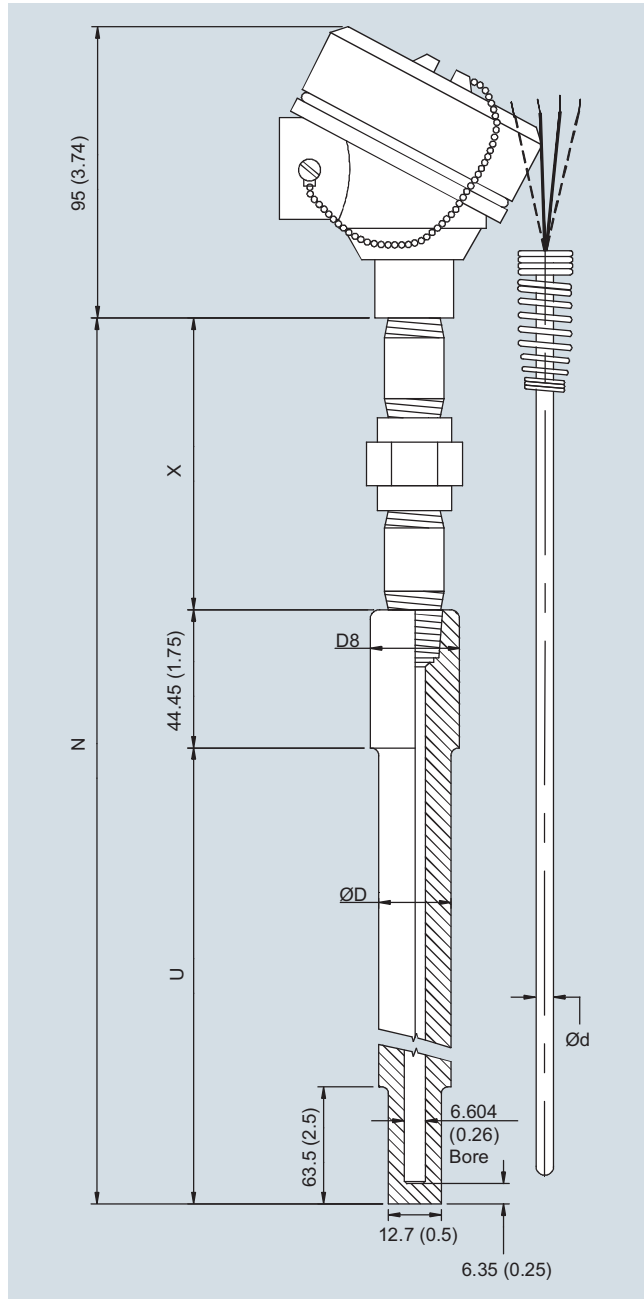
## Temperature Measurement

### SITRANS TS500

#### Technical description

#### Design

##### SITRANS TS500 7MC65xx



SITRANS TS500, type SWR, socket reduced well, dimensions in mm (inch)

The temperature sensors of the SITRANS TS500 series are available in four different designs:

- General Purpose without Thermowell
- Threaded Thermowell
- Flanged Thermowell
- Socket Thermowell

#### Function

A complete measuring point consists of a measuring insert which contains the basic sensors, the protective fitting and an optional transmitter.

The basic sensors are:

- Resistance thermometers:  
Temperature measurement is based on the temperature dependency of the installed measuring resistor.
- Thermocouples:  
Temperature measurement is based on the Seebeck effect. A thermocouple which subjected to a temperature drop produces thermoelectric voltage that can be measured.

Transmitters:

The optional Siemens transmitters assume the following functions:

- Optimum measurement processing
- Strengthening of weak sensor signals directly on site
- Transmits standardized signals
- Protects against electromagnetic interferences
- Support enhanced diagnosis options

The resistance thermometer is intended for installation in containers and pipelines.

- Modular design consisting of thermowell, measuring insert, connection head and optional transmitter.
- Transmitter can be integrated (4 to 20 mA, PROFIBUS PA or FOUNDATION Fieldbus)

## Configuration

### Components: Process connections

#### Flanges

The different properties of the flanges are as follows:

- Standard series EN 1092, ASME 16.5,..
- Nominal pressure
- Nominal diameter
- Sealing face

This information is stamped into the flange, as well as the material code and batch number for "3.1 Material".

### Components: Thermowell

Thermowells fulfill two basic functions:

- They protect the measuring insert from aggressive media
- They make it possible to replace units during ongoing operations

This catalog is limited to the standard versions. Special versions are available on request.

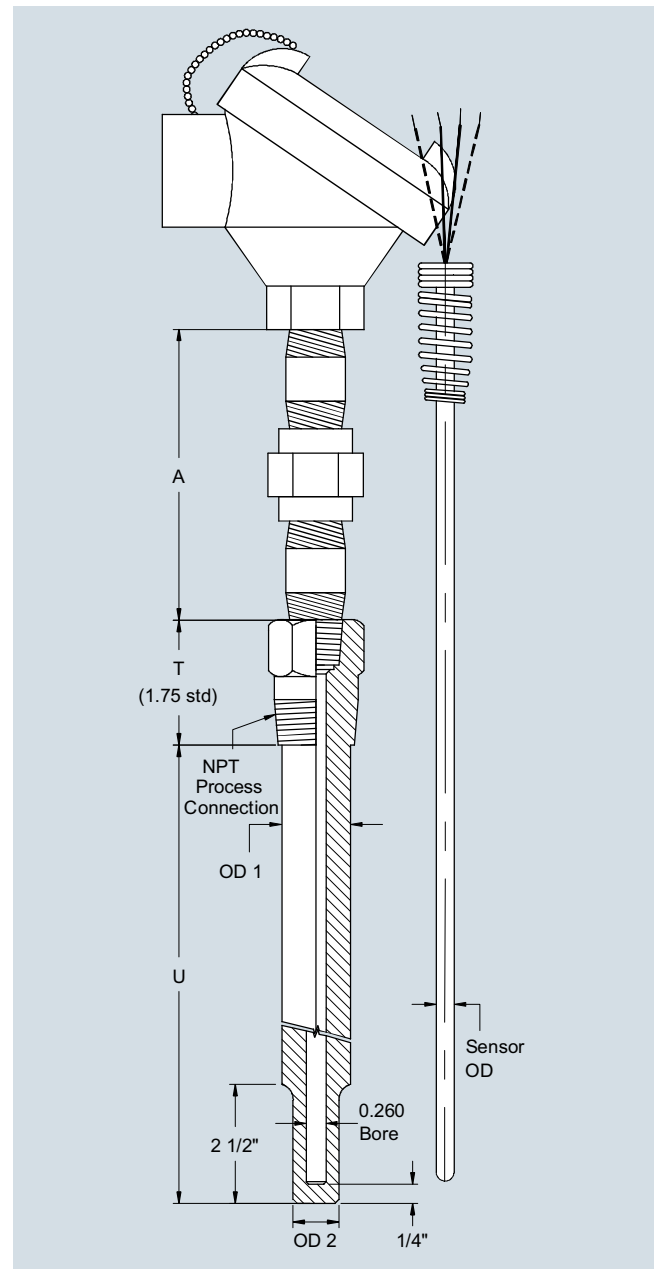
- Barstock thermowells  
Where process loads are too high, or where thermowells with welded seams are not allowed, deep hole drilled barstock thermowells are used.

### Components: Extension (neck tube)

The extension is the section from the lower edge of the connection head to the fixed point of the process connection or thermowell. There is a variety of terms for this components, e.g. neck tube. For this reason the term extension has been selected as a standardized term for the different designs. Function is the deciding factor:

- Thermal decoupling of connection head from process temperature
- Installation of connection head over existing insulation
- Simple standardization of measuring inserts: In general, the length of the extension may be freely selected. However, when using standardized insertion lengths ensures that measuring inserts are quickly available can be used.
- The extension takes the spring load of the sensor.
- Depending on the design, the extension can also be used to achieve an alignment of the connection head.

### Step down threaded well assemblies



Dimensions in inch

Process NPT	OD1	OD2
1/2"	5/8"	1/2"
3/4"	3/4"	1/2"
1"	7/8"	1/2"
1 1/4"	1 1/8"	3/4"
1 1/2"	1 1/8"	3/4"

# Temperature Measurement

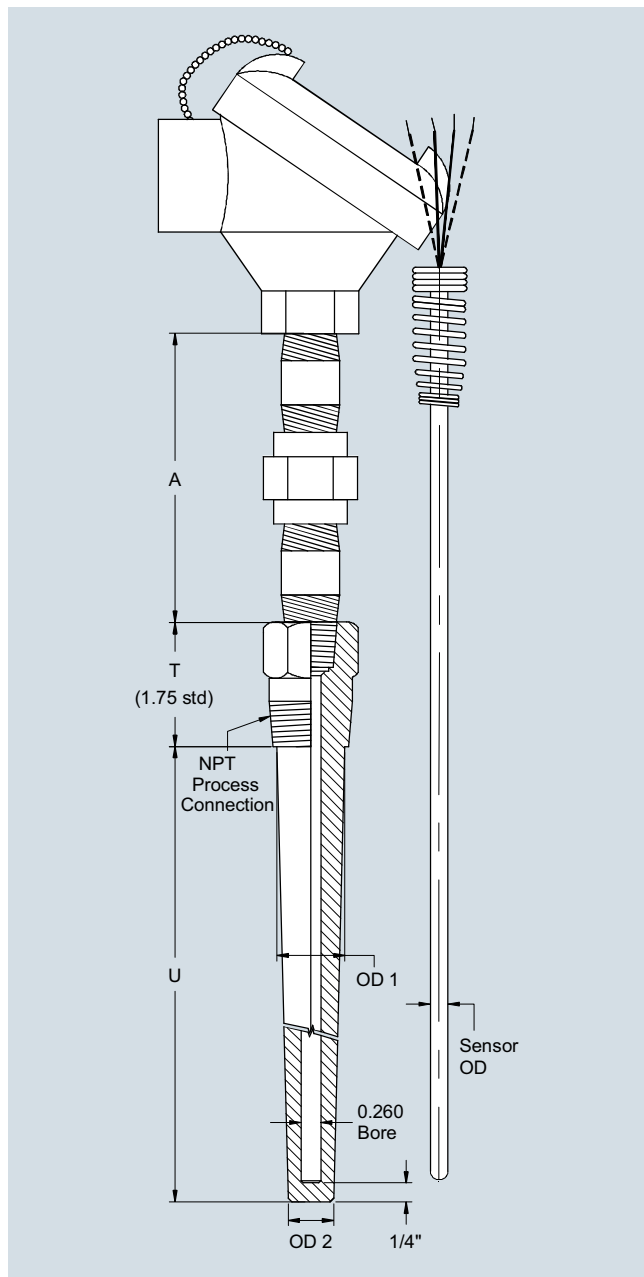
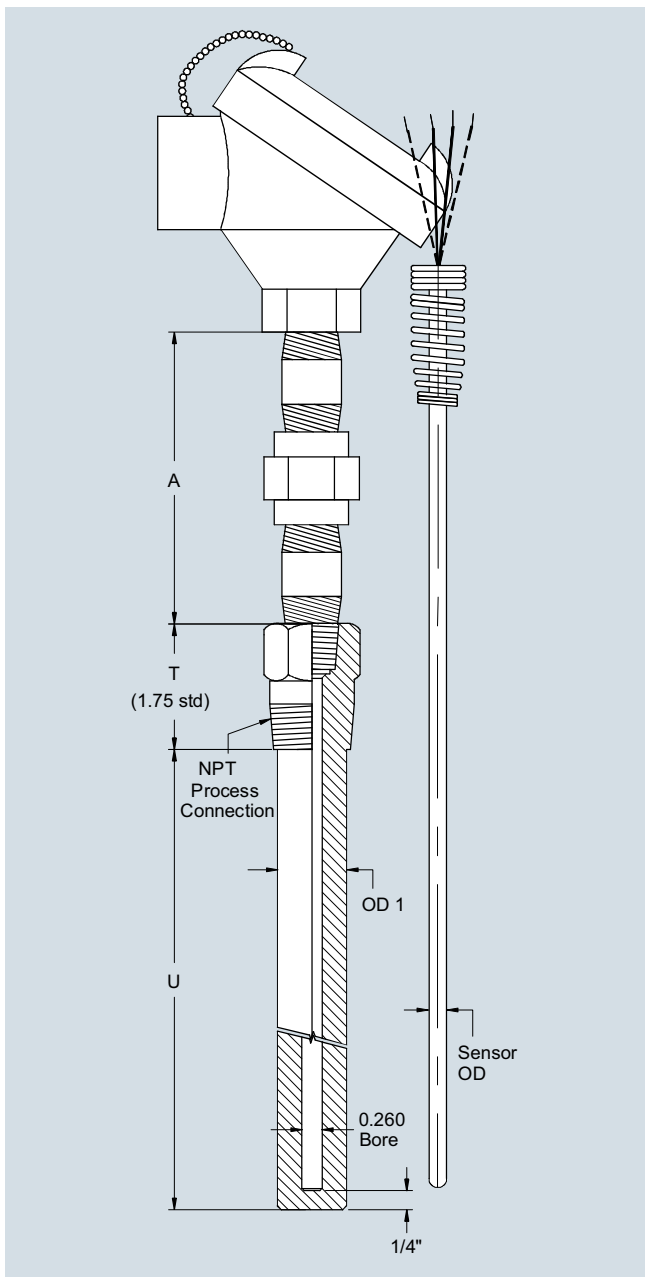
## SITRANS TS500

### Technical description

#### Straight threaded well assemblies

#### Tapered threaded well assemblies

2



Dimensions in inch

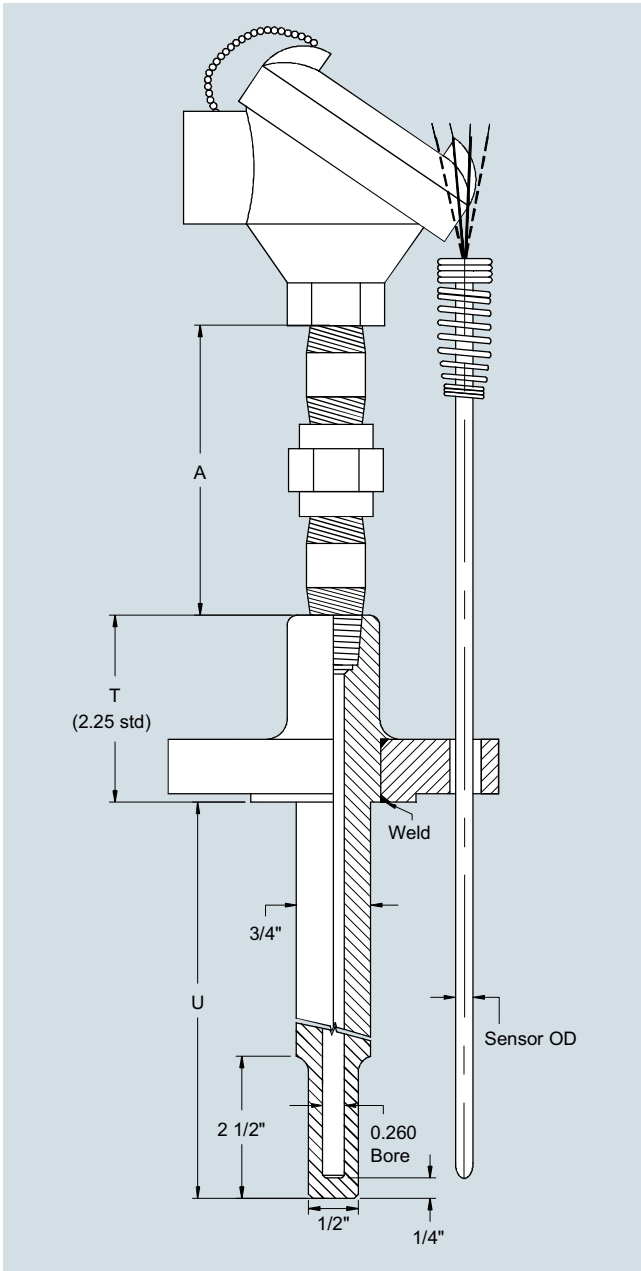
Dimensions in inch

Process NPT	OD1
1/2"	.680
3/4"	3/4"
1"	7/8"
1 1/4"	1 1/8"
1 1/2"	1 1/8"

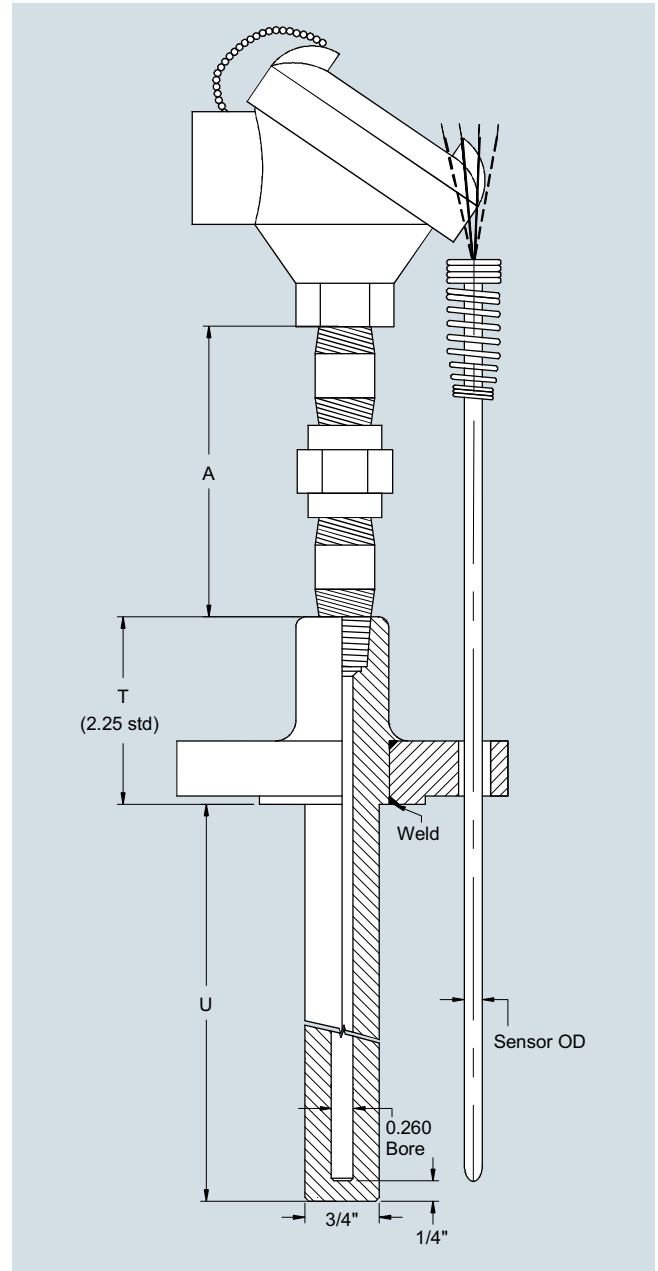
Process NPT	OD1	OD2
1/2"	.680	5/8"
3/4"	7/8"	5/8"
1"	1 1/16"	5/8"
1 1/4"	1 1/8"	3/4"
1 1/2"	1 1/8"	3/4"

**Step down flanged well assemblies**

**Straight flanged well assemblies**



Dimensions in inch



Dimensions in inch

# Temperature Measurement

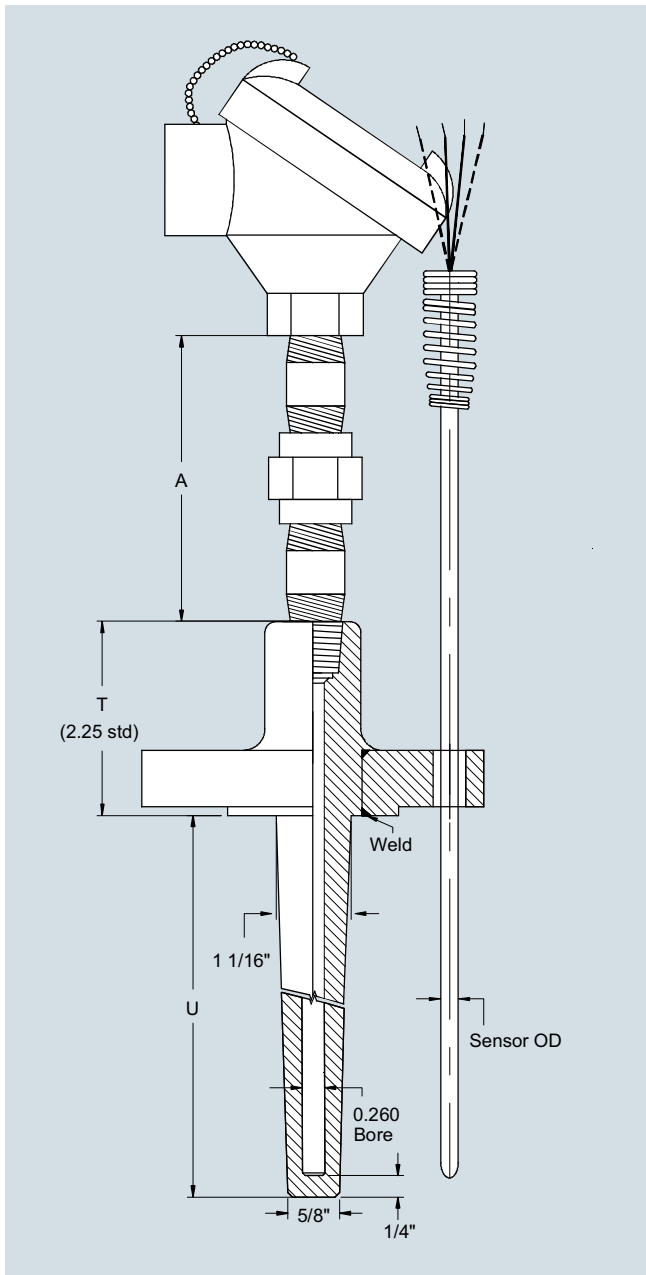
## SITRANS TS500

### Technical description

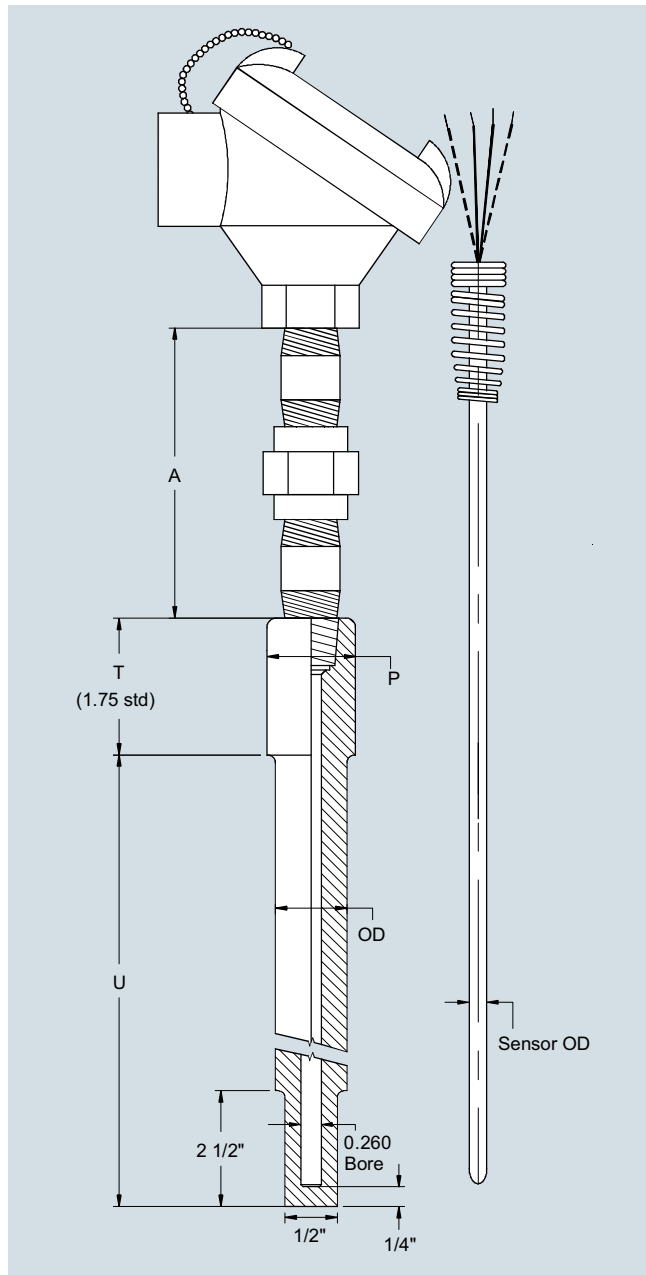
#### Tapered flanged well assemblies

#### Step down socket well assemblies

2



Dimensions in inch

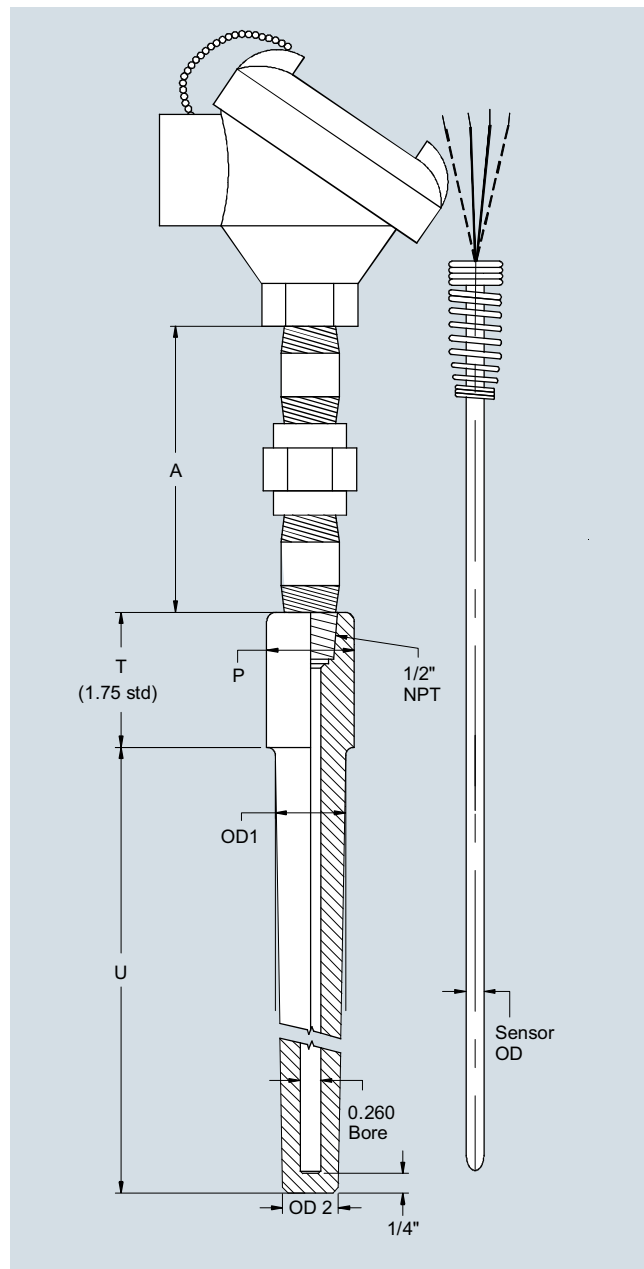
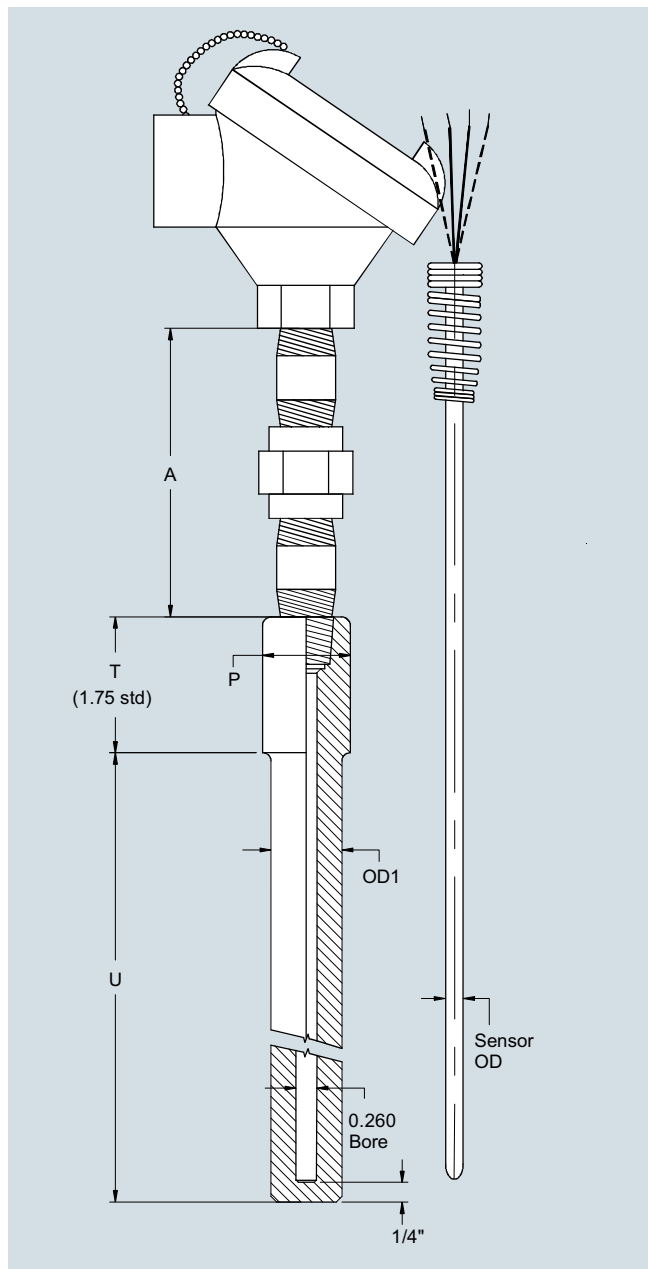


Dimensions in inch

Pipe Size Nominal	Actual Diameter (P)	OD
1/2"	0.840	0.680
3/4"	1.050	0.75
1"	1.315	0.875

**Straight socket well assemblies**

**Tapered socket well assemblies**



Dimensions in inch

Dimensions in inch

Pipe Size Nominal	Actual Diameter (P)	Dimensions in Inches (OD 1)
1/2"	0.840	0.680
3/4"	1.050	0.75
1"	1.315	0.875

Pipe Size Nominal	Actual Dia. (P)	OD1	OD2
1/2"	0.840	0.680	0.625
3/4"	1.050	0.875	0.625
1"	1.315	1.0	0.625
1 1/4"	1.66	1.250	0.75
1 1/2"	1.90	1.375	0.875
2"	2.375	1.75	1.250

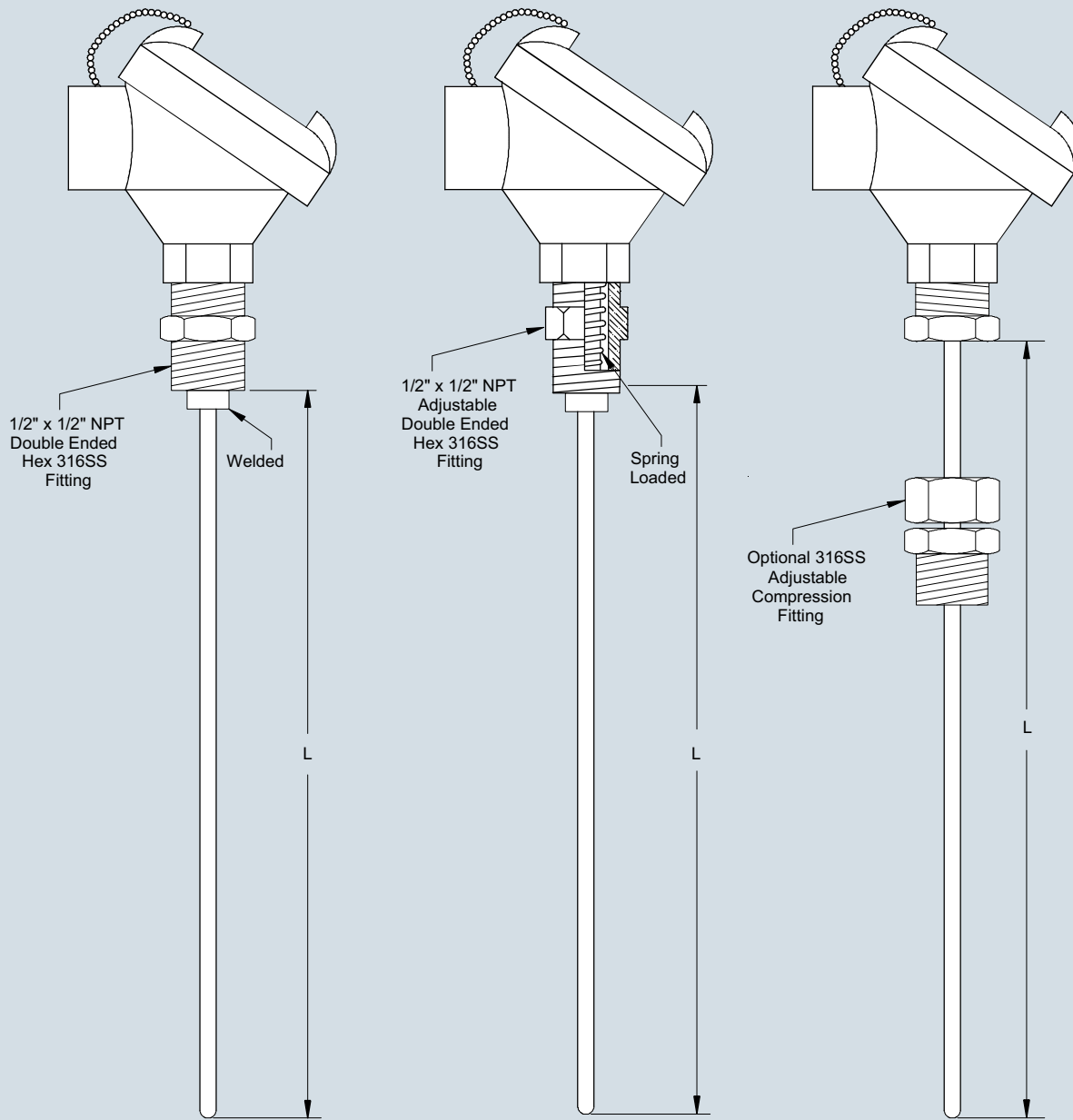
# Temperature Measurement

## SITRANS TS500

### Technical description

#### General purpose sensors

2



Dimensions in inch



#### Components: Connection head

##### Connection head

The connection head protects the wiring connections. The connection head features sufficient room for mounting a terminal block or transmitter.

Different connection heads are used depending on the application and preference.

#### Components: Measuring insert

Measuring inserts feature a large spring range. These measuring inserts are ideal for use with NPT threads with the typical loose tolerances. In this configuration, the extension function is partially or fully integrated (nipple-union-nipple). Moreover it is also possible to directly attach field devices, e.g. SITRANS TF.

#### Components: Transmitters

SITRANS TH head transmitters process the weak non-linear sensor signals and transmit a stable and temperature-linear standard signal, thereby minimizing sensor signal disruptions.

The transmitters constantly monitor the temperature sensors and transmit diagnostic data to superordinate systems.

Because of the low energy feed of the SITRANS TH head transmitters, self-heating of the temperature sensors can be maintained at minimal levels.

The electrical isolation and integrated cold junction ensure that temperature sensors with thermocouples provide reliable measurements at a low cost.

##### SITRANS TH product family

For detailed technical data on the SITRANS TH transmitters, please refer to the catalog FI 01.

- TH100 - the basic device
  - Output 4 to 20mA
  - for Pt100
  - can be configured using simple software
- TH200 - the universal device
  - Output 4 to 20mA
  - Resistance thermometer, thermocouples
  - can be configured using simple software
- TH300 - HART universal
  - Output 4 to 20 mA/HART
  - Resistance thermometer, thermocouples
  - HART conforming
  - Diagnostic functions
- TH400 - Fieldbus PA and FF
  - Output PROFIBUS PA or FOUNDATION Fieldbus
  - Resistance thermometer, thermocouples
  - Diagnostic functions; for detailed technical description of the SITRANS TH transmitter please refer to the related chapter of this catalog.

#### Measuring technology: Sensor elements

The diverse application spectrum for industrial temperature measuring technology requires different sensor technologies.

##### Resistance thermometer

Sensor elements made of other basic materials with different nominal resistances or different underlying standards are available on request. Resistance thermometers can be classified as follows:

- Basic design:
  - The sensor element is built with thin layer technology. The resistance material is applied in the form of a thin layer on a ceramic carrier material.
- Versions featuring increased vibration-resistance:
  - In addition to the basic design, the vibration resistance is improved through extra measures.
- Versions with expanded measuring range:
  - Elements in wire-wound design. The wire winding is embedded in a ceramic body.

##### Thermocouples

Other thermocouples based on other thermo couples or underlying standards are available upon request.

The most common base metal thermocouples include:

- Type K (NiCr-Ni) more stable than type J, but drifts in upper range.
- Type J (Fe-CuNi) narrow application band

#### Measuring technology: Measuring range

The measuring range describes the temperature limits within which the thermometer can be used in a way that is meaningful for measurement purposes. Depending on the loads present, the thermowell materials and the desired accuracy levels, the actual application range for the thermometer may be smaller.

Resistance thermometer [°C (°F)]	
Basic version and increased vibration resistance	-50 ... +400 (-58 ... +752)
Expanded measuring range	-196 ... +600 (-320.8 ... +1112)
Thermocouple [°C (°F)]	
Type K	-40 ... +1000 (-40 ... +1132)
Type J	-40 ... +750 (-40 ... +1382)

## Temperature Measurement

### SITRANS TS500

#### Technical description

##### Measuring technology: Measuring accuracy

###### Resistance thermometer

The tolerance classes of the resistance thermometers correspond with IEC 751/EN 60751:

Tolerance	$\Delta t$
Basic accuracy, Class B	$\pm(0.30\text{ °C} + 0.0050 t [\text{°C}])$ $\pm(0.54\text{ °F} + 0.0050 t [\text{°F}-32])$
Increased accuracy, Class A	$\pm(0.15\text{ °C} + 0.0020 t [\text{°C}])$ $(\pm(0.27\text{ °F} + 0.0020 t [\text{°F}-32]))$
High degree of accuracy, Class A+ (1/3 B)	$\pm(0.10\text{ °C} + 0.0017 t [\text{°C}])$ $(\pm(0.18\text{ °F} + 0.0017 t [\text{°F}-32]))$

The following tables provide an overview of the scope of these tolerances. If you exceed the specified limits with a resistance thermometer, the values of the next lower accuracy class apply:

Resistance thermometer Basic version [°C (°F)]	
Tolerance	Range
Basic accuracy, Class B	-50 ... +400 (-58 ... +752)
Increased accuracy, Class A	-30 ... +300 (-22 ... +572)
High degree of accuracy Class A+ (1/3 B)	0 ... 150 (32 ... 302)

Resistance thermometer Increased vibration-resistance [°C (°F)]	
Tolerance	Range
Basic accuracy, Class B	-50 ... +400 (-58 ... +752)
Increased accuracy, Class A	-30 ... +300 (-22 ... +572)
High degree of accuracy Class A+ (1/3 B)	0 ... 150 (32 ... 302)

Resistance thermometer Expanded measuring range [°C (°F)]	
Tolerance	Range
Basic accuracy, Class B	-196 ... +600 (-321 ... +1112)
Increased accuracy, Class A	-100 ... +450 (-148 ... +842)

###### Thermocouples

The tolerance classes of the thermocouples correspond with IEC 584/EN 60584:

###### Catalog versions

Type	Basic accuracy, Class 2	Increased accuracy, Class 1
K	-40 °C ... +333 °C $\pm 2.5\text{ °C}$ (-40 °F ... +631 °F $\pm 4.5\text{ °F}$ ) $333\text{ °C} \dots 1000\text{ °C} \pm 0.0075x t [\text{°C}]$ (631 °F ... 1832 °F $\pm 0.0075x t [\text{°F}-32]$ )	-40 °C ... +375 °C $\pm 1.5\text{ °C}$ (-40 °F ... +707 °F $\pm 2.7\text{ °F}$ ) $375\text{ °C} \dots 1000\text{ °C} \pm 0.004x t [\text{°C}]$ (707 °F ... 1832 °F $\pm 0.004x t [\text{°F}-32]$ )
J	-40 °C ... +333 °C $\pm 2.5\text{ °C}$ (-40 °F ... +631 °F $\pm 4.5\text{ °F}$ ) $333\text{ °C} \dots 750\text{ °C} \pm 0.0075x t [\text{°C}]$ (631 °F ... 1382 °F $\pm 0.0075x t [\text{°F}-32]$ )	-40 °C ... +375 °C $\pm 1.5\text{ °C}$ (-40 °F ... +707 °F $\pm 2.7\text{ °F}$ ) $375\text{ °C} \dots 750\text{ °C} \pm 0.004x t [\text{°C}]$ (707 °F ... 1382 °F $\pm 0.004x t [\text{°F}-32]$ )

###### Other thermocouples, ignoble

Type	Basic accuracy, Class 2	Increased accuracy, Class 1
T	-40 °C ... 133 °C $\pm 1\text{ °C}$ (-40 °F ... +271 °F $\pm 1.8\text{ °F}$ ) $133\text{ °C} \dots 350\text{ °C} \pm 0.0075x t [\text{°C}]$ (271 °F ... 662 °F $\pm 0.0075x t [\text{°F}-32]$ )	-40 °C ... +125 °C $\pm 0.5\text{ °C}$ (-40 °F ... +257 °F $\pm 0.9\text{ °F}$ ) $125\text{ °C} \dots 350\text{ °C} \pm 0.004x t [\text{°C}]$ (257 °F ... 662 °F $\pm 0.004x t [\text{°F}-32]$ )
E	-40 °C ... +333 °C $\pm 2.5\text{ °C}$ (-40 °F ... +631 °F $\pm 4.5\text{ °F}$ ) $333\text{ °C} \dots 900\text{ °C} \pm 0.0075x t [\text{°C}]$ (631 °F ... 1652 °F $\pm 0.0075x t [\text{°F}-32]$ )	-40 °C ... +375 °C $\pm 1.5\text{ °C}$ (-40 °F ... +707 °F $\pm 2.7\text{ °F}$ ) $375\text{ °C} \dots 800\text{ °C} \pm 0.004x t [\text{°C}]$ (707 °F ... 1472 °F $\pm 0.004x t [\text{°F}-32]$ )

###### Other thermocouples, noble

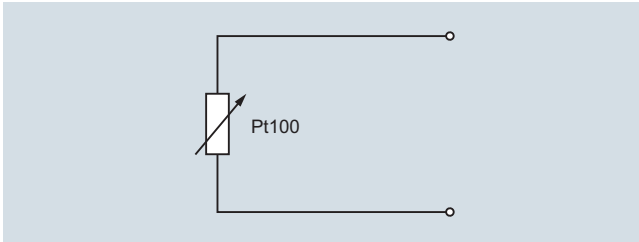
Type	Basic accuracy, Class 2	Increased accuracy, Class 1
R and S	0 °C ... 600 °C $\pm 1.5\text{ °C}$ (32 °F ... 1112 °F $\pm 2.7\text{ °F}$ ) $600\text{ °C} \dots 1600\text{ °C} \pm 0.0025 x  t $ (1112 °F ... 2912 °F $\pm 0.0025 x  t $ )	0 °C ... 1100 °C $\pm 1\text{ °C}$ (32 °F ... 2012 °F $\pm 1.8\text{ °F}$ ) $1100\text{ °C} \dots 1600\text{ °C} \pm [1 + 0.003(t - 1100)]\text{ °C}$ (2112 °F ... 2912 °F $\pm [1.8 + 0.003(t - 212)]\text{ °F}$ )
B	600 °C ... 1700 °C $\pm 0.0025 x  t $ (1112 °F ... 3092 °F $\pm 0.0025 x  t $ )	

**Measuring technology: Connection types**

In the case of resistance thermometers, the type of sensor connection directly affects the level of accuracy:

**Two-wire system**

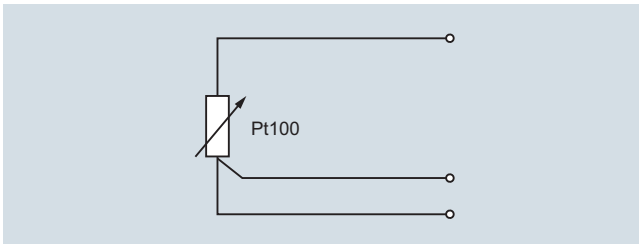
The resistance of sensor lines are included in the measurement result as an error. Adjustments are recommended in this case.



Pt100 Two-wire system

**Three-wire system**

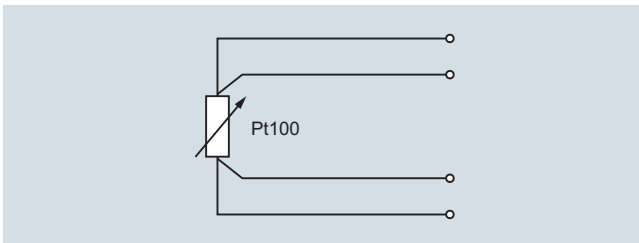
Line resistance is not included in the measurement result. Requirements: all terminal and line resistances (corrosion) are at the same level, and terminals are at the same temperature level.



Pt100 Three-wire system

**Four-wire system**

Line resistance is not included in the measurement result. This type of connection is the most secure and most accurate.



Pt100 Four-wire system

Siemens measuring inserts can be used to implement all types of connections for 1 x Pt100 devices. In the case of 2 x Pt100 versions, two- and three-wire systems are also possible. For measurement-related reasons, we always recommend a 1 x four-wire or 2 x 3-wire connection.

## Temperature Measurement

### SITRANS TS500

#### Technical description

##### Thermowell calculation

Properly applied load diagrams will provide a sufficient degree of safety for the most common thermowell configurations.

However, there are cases in which operating conditions deviate too greatly from standard parameters. In this case, a customized thermowell calculation may be required.

Another reason for doing this calculation is the fact that flowing media can create turbulence at the tip of the thermowell under certain conditions. The thermowell will then vibrate and may even be destroyed if not configured correctly. This is the most frequent cause of thermowell failure.

SIEMENS offers the two recognized methods for calculating the thermowell:

- DIN/Dittrich method
- ASME/Murdock method  
This method also takes into account turbulence formation on a mathematical level.

Both methods provide a high degree of safety with regard to thermowell configuration, however, they do not provide a guarantee against breakdowns.

##### Materials

Material descriptions/Standards comparison				Max. temperature [°C (°F)] (unloaded)	Properties	Applications
Mat. No.:	AISI/Trade name:	EN 10028-2:	Description			
1.4404 or 1.4435	AISI 316 L	X2CrNiMo17-12-2	Austenitic stainless steel	600 (1112)	Good acid resistance, resistant against grain boundary corrosion	Chemical industry, waste treatment, paper and cellulose industry, food industry
2.4816	Inconel 600	NiCr15Fe	Nickel-Chrome alloy	1150 (2102)	Resistant at high temperatures, resistant against chlorine-induced cold crack corrosion	Chemical industry, petrochemical industry, food industry
1.4876	Incoloy 800	X10NiCrAlTi32-21	Austenitic heat-resistant stainless steel	1100 (2012)	Excellent resistance against oxidation and carbonization at high temperatures, good corrosion resistance	O&G industry, waste gas treatment, power plants (steam boiler, heat exchanger), applications using aggressive fluids
2.4819	Hastelloy C 276	NiMo16Cr15W	Nickel-Chrome-Molybdenum alloy	1100 (2012)	Resistant at high temperatures, in oxidizing and reducing atmosphere, resistant against pitting and crevice corrosion, good corrosion resistance after welding	Chemicals industry, paper and cellulose industry, waste treatment, waste incinerators, emissions controls, shipbuilding and offshore industry
2.4360	Monel 400	NiCu30Fe	Nickel-Copper alloy	500 (932)	Excellent corrosion resistance, particularly against chlorine-induced cold crack corrosion	Chemical industry, offshore industry, nuclear technology, petrochemical industry

Where cost-intensive materials are used with flange thermowells, cost savings can be achieved by using a so-called flanged wheel. A thin disc of the material which comes into contact with media is applied prior to the flange (ordinary stainless steel).

##### Vibration resistance of measuring insert, cable sensor

Similar to the thermowell, inner (Karman vortices) and outer (plant) vibrations also affect the measuring insert. For this reason, a special assembly of measurement elements is required. Other than a few exceptions for cable and compact thermometers, Siemens only produces sensors based on a mineral-insulated cable. Together with precautions taken when installing the measuring element, the Siemens basic version already exceeds EN 60751 by more than a factor of 3. Pursuant to the measurement methods of this standard, the following values are obtained (tip-tip):

- 10 g: Basic version and expanded measuring range
- 60 g: Increased vibration-resistance and thermocouple

##### Electrical stability

###### Insulation resistance

The insulation resistance between each measuring circuit and the fitting is tested at a voltage of 500 V DC at room temperature.

$$R_{iso} \geq 100 \text{ M}\Omega$$

Due to the property of the mineral-insulated cable, the insulation resistance decreases as temperature increases. Because of the special production method, it is, however, possible to achieve very good values even at high temperatures.

###### Line resistance

When connected to two-wire systems, the line resistance is included in the measurement result. The following rule of thumb can be used:

- $\varnothing$  Measuring insert 6 mm (0.24 in) 2.8  $\Omega$ /m or 44.78 (44.78)

For this reason a connection to three- or four-wire systems is highly recommended.

# Temperature Measurement

## SITRANS TS500

### Selection and Ordering data

Selection and Ordering data	Article No.	Ord. Code
<b>SITRANS TS500</b>	<b>7MC650</b>	
<b>Threaded sensor assembly (no thermowell)</b>	- - - - - 0	
↗ Click on the Article No. for the online configuration in the PIA Life Cycle Portal.		
<b>Sheath Material</b>		
316L Stainless Steel	2	
310 Stainless Steel	4	
Alloy 600	7	
<b>Form</b>		
Adjustable Compression Fitting	2	
Fixed Welded	3	
Spring-Loaded	4	
<b>Process Connection Size</b>		
½" NPT	J	
<b>Insertion length (U-Length)</b>		
1"	P0	
1.5"	P1	
2"	P2	
2.5"	P3	
3"	P4	
3.5"	P5	
4"	P6	
4.5"	P7	
5"	P8	
5.5"	Q0	
6"	Q1	
6.5"	Q2	
7"	Q3	
7.5"	Q4	
8"	Q5	
8.5"	Q6	
9"	Q7	
9.5"	Q8	
10"	R0	
10.5"	R1	
11"	R2	
11.5"	R3	
12"	R4	
12.5"	R5	
13"	R6	
13.5"	R7	
14"	R8	
14.5"	S0	
15"	S1	
15.5"	S2	
16"	S3	
16.5"	S4	
17"	S5	
17.5"	S6	
18"	S7	
18.5"	S8	
19"	T0	
19.5"	T1	
20"	T2	
20.5"	T3	
21"	T4	
21.5"	T5	
22"	T6	
22.5"	T7	
23"	T8	
23.5"	U0	
24"	U1	
Other, specify U length	Z0	K1Y

Selection and Ordering data	Article No.	Ord. Code
<b>SITRANS TS500</b>	<b>7MC650</b>	
<b>Threaded sensor assembly (no thermowell)</b>	- - - - - 0	
<b>Sensor Diameter</b>		
¼"	7	
<b>Connection Head</b>		
Cast Aluminum		J
Cast Stainless Steel		S
Flip-Top Aluminum		B
Explosion Proof Aluminum (FM [XP]/CSA/ATEX [Ex d])		G
Explosion Proof SS		U
Without Head (for TF/display, use option A80-A83)		N
Other	Z	P1Y
<b>Sensor Type</b>		
<b>RTD</b>		
Standard RTDs are 3-wire, 100 Ohm Platinum, 500 F		
Dual RTDs are 2-wire 100 Ohm Platinum each		
Class B (+/- %)		A1
Class A (+/- %)		A2
Class AA (+/- %)		A3
Class B Dual		A5
Class A Dual		A6
High Vibration RTD (900 F) - Class B		B1
RTD high temp (900 F) - Class B		C1
<b>Thermocouple</b>		
Standard thermocouples are ungrounded		
Type J		J1
Type J dual		J5
Type K		K1
Type K dual		K5
Type T		T1
Type T dual		T5
Type E		E1
Type E dual		E5
Other	Z0	Q1Y



# Temperature Measurement

## SITRANS TS500

### Selection and Ordering data

Selection and Ordering data	Order Code
<b>Options</b>	
Add "-Z" to Article No. and add options, separate extensions with "+".	
<b>Explosion protection</b>	
ATEX Intrinsic safety "ia", "ic"	E01
ATEX Flameproof enclosure "d"	E02
ATEX Non sparking "n"	E03
cFMus intrinsic safety	E11
cFMus explosion proof	E13
<b>Transmitter mounted in head</b>	
Measuring range to be set must be specified with plain text data "Y01".	
SITRANS TH100 No Approvals	T10
SITRANS TH100 ATEX (Ex ia, Ex n)	T11
SITRANS TH100 FM (IS)	T13
SITRANS TH200 No Approvals	T20
SITRANS TH200 ATEX (Ex ia, Ex n)	T21
SITRANS TH200 FM (IS)	T23
SITRANS TH300 No Approvals	T30
SITRANS TH300 ATEX (Ex ia, Ex n)	T31
SITRANS TH300 FM (IS)	T33
SITRANS TH400 PA No Approvals	T40
SITRANS TH400 PA FM (IS), ATEX (Ex ia, Ex n)	T41
SITRANS TH400 FF No Approvals	T45
SITRANS TH400 FF FM (IS), ATEX (Ex ia, Ex n)	T46
<b>Transmitter with display - SITRANS TF</b>	
With SITRANS TH200 (SIPROM T communication)	
General Purpose [7NG3135-0AC10]	A81
XP FM/CSA (XP) [7NG3135-5AC10]	A82
With SITRANS TH300 (HART Communication)	
General Purpose [7NG3136-0AC10]	A83
XP FM/CSA (XP) [7NG3136-5AC10]	A84
<b>Other temperature transmitter (TF280, TF PA, etc)</b>	
Mounting of transmitter - Ordered separately	A80
<b>Transmitter Configuration</b>	
Specify measuring range in plain text	Y01
Specify HART-address (max. 8 characters) in plain text	Y17
Tag Number (max. 16 characters) - TF only	Y23
Tag Description (max. 27 characters) - TF only	Y24
Specify bus address in plain text	Y25
Fail-safe value 3.6 mA (instead of 22.8 mA)	U36
<b>Certificates</b>	
Material certificate for wetted parts	C12
Cert SIL 2	C20
Cert SIL 2/3	C23
Factory calibration - sensor only	Y33
Factory cal - matched pair	C15
Factory cal - sensor/transmitter assembly	Y35
<b>Sensor options</b>	
Grounded T/C (std = ungrounded)	G31
4-wire RTD (std = 3-wire)	R04
<b>Further options</b>	
SS tag plate - wired to sensor assembly (connection head only)	Y15
Special option (define in plain text: "Y99:...")	Y99

Selection and Ordering data	Article No.	Ord. Code
<b>SITRANS TS500</b>	<b>7MC652</b>	
<b>Barstock Thermowell Assembly</b>		
<p>Click on the Article No. for the online configuration in the PIA Life Cycle Portal.</p>		
<b>Well Material</b>		
316 SS	2	
Special Version (Y99 required)	8	
<b>Thermowell Process Connection Type &amp; Size</b>		
<u>Threaded Thermowell</u>		
1/2" NPT	1 J	
3/4" NPT	1 K	
1" NPT	1 L	
<u>Flanged Thermowell</u>		
1.0" 150# RF	2 E	
1.0" 300# RF	2 F	
1.5" 150# RF	2 G	
1.5" 300# RF	2 H	
2.0" 150# RF	2 J	
2.0" 300# RF	2 K	
3.0" 150# RF	2 P	
3.0" 300# RF	2 Q	
<u>Socket Weld Thermowell</u>		
3/4" Socket Weld	0 K	
1" Socket Weld	0 L	
<u>Other design</u>		
Customer-specified connection (Specify in plain text)	9 X	H 1 Y
<b>Thermowell Form</b>		
Straight	S	
Tapered	T	
Step-Down (Reduced)	U	
Other, Specify thermowell form, U-length and T-Length	Z 8 8	K 1 Y
<b>Insertion length (U-Length), with standard T-length (1.75")</b>		
2"	1 2	
2.5"	1 3	
3"	1 4	
3.5"	1 5	
4"	1 6	
4.5"	1 7	
5"	2 0	
5.5"	2 1	
6"	2 2	
6.5"	2 3	
7"	2 4	
7.5"	2 5	
8"	2 6	
8.5"	2 7	
9"	3 0	
9.5"	3 1	
10"	3 2	
10.5"	3 3	
11"	3 4	
11.5"	3 5	
12"	3 6	
12.5"	3 7	
13"	4 0	
13.5"	4 1	
14"	4 2	
14.5"	4 3	
15"	4 4	
15.5"	4 5	
16"	4 6	
16.5"	4 7	
17"	5 0	
17.5"	5 1	
18"	5 2	

Selection and Ordering data	Article No.	Ord. Code
<b>SITRANS TS500</b>	<b>7MC652</b>	
<b>Barstock Thermowell Assembly</b>		
18.5"	5 3	
19"	5 4	
19.5"	5 5	
20"	5 6	
20.5"	5 7	
21"	6 0	
21.5"	6 1	
22"	6 2	
22.5"	6 3	
23"	6 4	
23.5"	6 5	
24"	6 6	
24.5"	6 7	
Other, specify U length	Z 8 8	K 1 Y
<b>Extension (A-length)</b>		
None	0	
3" Hex nipple-union-nipple, SS (HUNS)	7	
3" Nipple, SS (NS)	9	N 0 G
3" Nipple-union-nipple, galv. steel (NUN)	9	N 0 M
3" Nipple-union-nipple, SS (NUNS)	9	N 0 N
6" Nipple-union-nipple, galv. steel (NUN)	9	N 9 M
6" Nipple-union-nipple, SS (NUNS)	9	N 9 N
6" Hex nipple-union-nipple, SS (HUNS)	9	N 9 H
Other	9	N 8 Y
<b>Connection Head</b>		
Cast Aluminum	J	
Cast Stainless Steel	S	
Flip-Top Aluminum	B	
Explosion Proof Aluminum (FM [XP]/CSA/ATEX [Ex d])	G	
Explosion Proof SS	U	
Without Head (for TF/display, use option A80)	N	
Other	Z	P 1 Y
<b>Sensor Type</b>		
<b>RTD</b>		
Standard RTDs are 3-wire, 100 Ohm Platinum, 500 F		
Dual RTDs are 2-wire 100 Ohm Platinum each		
Class B (+/- ### %)	A 1	
Class A (+/- ### %)	A 2	
Class AA (+/- ### %)	A 3	
Class B Dual	A 5	
Class A Dual	A 6	
High Vibration RTD (900 F) - Class B	B 1	
RTD high temp (900 F) - Class B	C 1	
<b>Thermocouple</b>		
Standard thermocouples are ungrounded		
Type J	J 1	
Type J dual	J 5	
Type K	K 1	
Type K dual	K 5	
Type T	T 1	
Type T dual	T 5	
Type E	E 1	
Type E dual	E 5	
<b>Other Sensor</b>		
Other, Specify type (Q1Y = ...)	Z 0	Q 1 Y
<b>No Sensor</b>		
For well-only configurations	N 0	

## Temperature Measurement

### SITRANS TS500

#### Selection and Ordering data

##### Selection and Ordering data

Order Code

##### Options

Add **"-Z"** to Article No. and add options, separate extensions with "+".

##### Transmitter mounted in head

Measuring range to be set must be specified with plain text data "Y01".

SITRANS TH100 No Approvals	<b>T10</b>
SITRANS TH100 ATEX (Ex ia, Ex n)	<b>T11</b>
SITRANS TH100 FM (IS)	<b>T13</b>
SITRANS TH200 No Approvals	<b>T20</b>
SITRANS TH200 ATEX (Ex ia, Ex n)	<b>T21</b>
SITRANS TH200 FM (IS)	<b>T23</b>
SITRANS TH300 No Approvals	<b>T30</b>
SITRANS TH300 ATEX (Ex ia, Ex n)	<b>T31</b>
SITRANS TH300 FM (IS)	<b>T33</b>
SITRANS TH400 PA No Approvals	<b>T40</b>
SITRANS TH400 PA FM (IS), ATEX (Ex ia, Ex n)	<b>T41</b>
SITRANS TH400 FF No Approvals	<b>T45</b>
SITRANS TH400 FF FM (IS), ATEX (Ex ia, Ex n)	<b>T46</b>

##### Transmitter with display - SITRANS TF

With SITRANS TH200 (SIPROM T communication)

General Purpose [7NG3135-0AC10]	<b>A81</b>
XP FM/CSA (XP) [7NG3135-5AC10]	<b>A82</b>

With SITRANS TH300 (HART Communication)

General Purpose [7NG3136-0AC10]	<b>A83</b>
XP FM/CSA (XP) [7NG3136-5AC10]	<b>A84</b>

##### Other temperature transmitter (TF280, TF PA, etc)

Mounting of transmitter - Ordered separately	<b>A80</b>
--	------------

##### Transmitter Configuration

Specify measuring range in plain text	<b>Y01</b>
Specify HART-address (max. 8 characters) in plain text	<b>Y17</b>
Specify measuring point description (max. 16 characters) in plain text	<b>Y23</b>
Specify measuring point text (max. 32 characters) in plain text	<b>Y24</b>
Specify bus address in plain text	<b>Y25</b>
Fail-safe value 3.6 mA (instead of 22.8 mA)	<b>U36</b>

##### Certificates

Material certificate for wetted parts	<b>C12</b>
Cert SIL 2	<b>C20</b>
Cert SIL 2/3	<b>C23</b>
Hydrostatic pressure test	<b>C31</b>
Thermowell NACE cert	<b>C50</b>
Oxygen-cleaned (ISO 9001 grease-free for oxygen service)	<b>C51</b>
Inspection certificate Thermowell calculation according ASME PTC 19.3 (Murdock)	<b>C37</b>
Factory calibration - sensor only	<b>Y33</b>
Factory cal - matched pair	<b>C15</b>
Factory cal - sensor/transmitter assembly	<b>Y35</b>

##### Selection and Ordering data

Order Code

##### Full Penetration Welding for Flanged Process Connections

Full penetration weld	<b>G02</b>
X-ray test certificate for full penetration weld	<b>C41</b>
Ultrasonic test certificate for full penetration weld	<b>C44</b>

##### Sensor options

Grounded T/C (std = ungrounded)	<b>G31</b>
4-wire RTD (std = 3-wire)	<b>R04</b>

##### Further options

SS tag plate	<b>Y15</b>
Special option (define in plain text: "Y99:...")	<b>Y99</b>

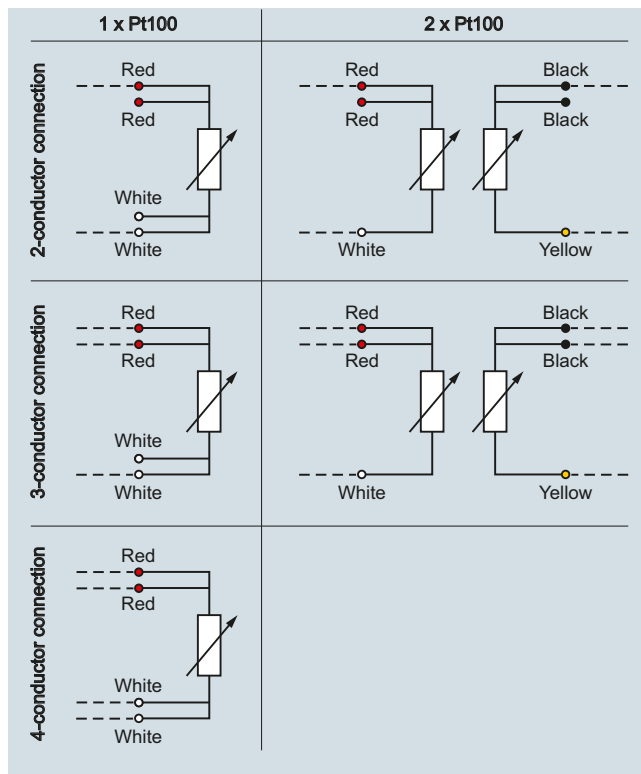


### Schematics

#### Resistance thermometer

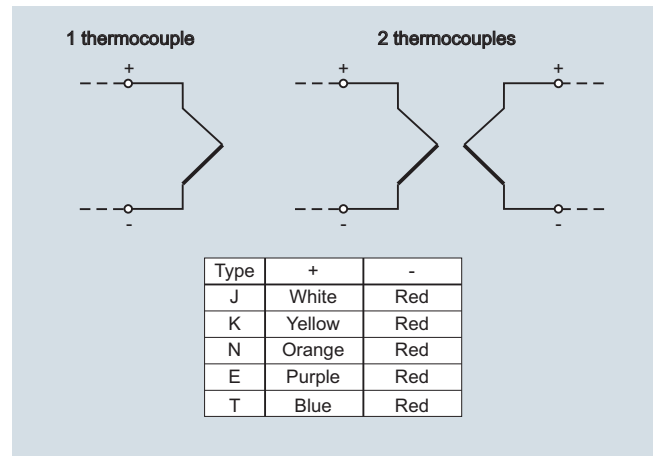
SITRANS TS insert measuring inserts are designed as a four-wire system for single Pt100 if not mentioned differently. This makes it possible to implement all of the aforementioned connection types.

Double Pt100 measuring inserts (for 6 mm OD only) are designed as a three-wire system.



Schematics 1 x Pt100-2W up to 2 x Pt100-4W

#### Thermocouples



Circuit diagram for thermocouple

Where thermocouples are used, the use of head transmitters offers particular advantages: The cold junction is already integrated into the universal transmitter. There is no need for expensive thermo or extension cable. This also removes a number of possible error sources. The weak millivolt signal of the thermocouple is already converted into a stable and temperature-linear DC or bus signal on site. This drastically reduces the effects of electromagnetic factors on the measurement result.

If a head transmitter is not installed, the sensor feed line consists either of the appropriate thermo or extension leads. The thermo line is made from the thermo material of the relevant thermocouple, while the extension lead uses a cost-effective substitute material. The extension cable behaves similar to a thermo line at an electrical level, within a limited temperature range of up to 200°C.

A wide spectrum of color coding is available for thermocouples on an international level. This must be taken into account during the electrical connecting.

## Temperature Measurement

### SITRANS TS500

#### Schematics

Country	International/ Germany			North America			UK/ Czech Republic		
	Standard			Extension lead <sup>2)</sup>			BS 1843		
	Not intrinsically safe <sup>1)</sup>								
	Jacket	+	-	Jacket	+	-	Jacket	+	-
N	PN	PN	WH	OG	OG	RD	OG	OG	BU
K	GN	GN	WH	YE	YE	RD	RD	BR	BU
J	BK	BK	WH	BK	WH	RD	BK	YE	BU
T	BR	BR	WH	BU	BU	RD	BU	WH	BU
E	VT	VT	WH	VT	VT	RD	BR	BR	BU
R+S	OG	OG	WH		BK	RD	GN	WH	BU
B	GY	GY	WH	GY	GY	RD	-	-	-

<sup>1)</sup> With an intrinsically safe line as per IEC 584-3, the sheath is always blue.

<sup>2)</sup> For thermo lines as per ANSI MC96, the sheath is always blue.

Country	Netherlands			Japan			France		
	Standard			ISC 1610-198			NF C42-323		
	DIN 43714								
	Jacket	+	-	Jacket	+	-	Jacket	+	-
N	GN	RD	GN	BU	RD	WH	VT	VT	YE
K	BU	RD	BU	YE	RD	WH	BK	BK	YE
J	BR	RD	BR	BR	RD	WH	BU	BU	YE
T	BK	RD	BK	VT	RD	WH	OG	OG	YE
E	WH	RD	WH	BK	RD	WH	GN	GN	YE
R+S	GY	RD	GY	GY	RD	WH	-	-	-
B	GN	RD	GN	BU	RD	WH	VT	VT	YE

#### Abbreviation for colors

BK: black	BR: brown	BU: blue	GD: gold	GN: green
GY: gray	OG: orange	PN: pink	RD: red	SR: silver
TQ: turquoise	VT: violet	WH: white	YE: yellow	

#### Transmitters

In addition, our transmitters also allow for a large number of other possible connections (e.g. difference, average, two sensors). More information can be obtained at:

<http://www.usa.siemens.com/temperature>