

# SIEMENS

*Ingenuity for life*

Analytical Products and Solutions

## Analytical Simplicity

Exchangeable Column Modules for MAXUM  
airbath and airless oven

[usa.siemens.com/processanalytics](http://usa.siemens.com/processanalytics)



No matter how many online process gas chromatographs (GCs) you use, you want long-term, stable performance and simple, fast analytical maintainability. By equipping Siemens MAXUM analyzers with proven exchangeable column trains and applet modules, we make maintenance and repair as simple as installing an identical applet module.

The simple design of standardized applets and the possibility of quick exchange reduce analyzer downtime and improve maintenance and repair success.

From our U.S. factory, we offer exchangeable applet modules as default analytical configuration where possible. In addition to maintaining and repairing the analytics as before, this option allows you to maintain and repair simply by exchanging applet modules.

### Designs based on decades of experience

Siemens exchangeable applet column modules are the product of 50 years of design and maintenance experience with analytical devices. A history of innovation and reliability is why so many operators depend on the Siemens analytical measurement system for generating critical process data.

### Parallel chromatography

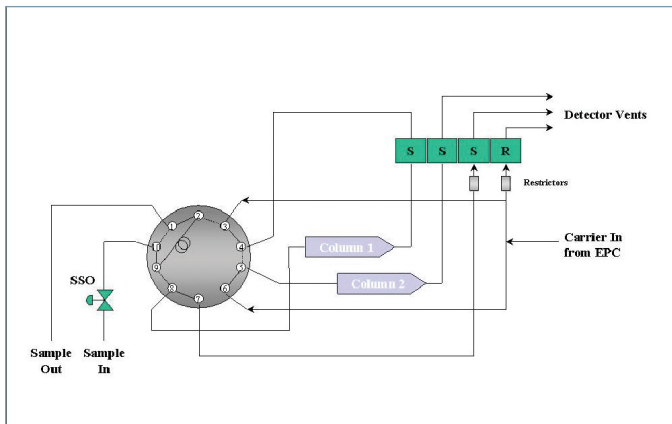
The MAXUM Process Gas Chromatograph introduced parallel chromatography, a major advance that greatly simplifies the chromatographic separation. Parallel

chromatography relies on one or more simple and standard applet separation system. Applets eliminate the need for customized configurations based on complex arrangements of multiple valves and columns. Simplifying the segmentation of complex or multivalve separation systems into smaller, simpler portions eliminates the need for tedious valve switching and peak gating adjustments.

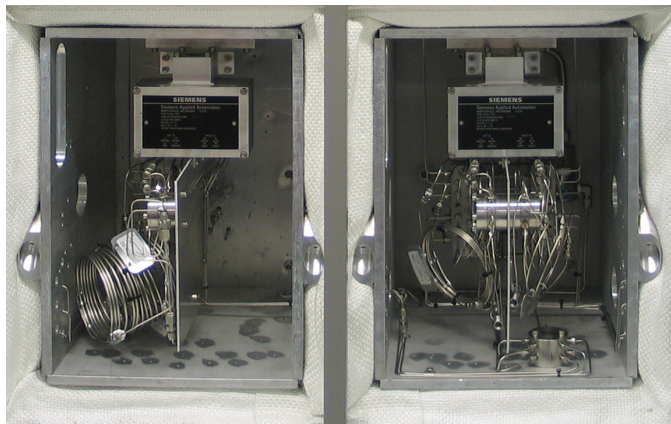
Parallel chromatography is the standard separation solution for MAXUM, except when the measurement task prohibits this approach. Each applet consists of a single multiport diaphragm valve, two separation columns in a backflush configuration, and a four-channel thermal conductivity detector (TCD) with inter-column (ITC) measurement capabilities.

Multiple applets operate simultaneously, parallel. Such simplified chromatographic separation typically provides a shorter cycle time, easier data interpretation, simpler troubleshooting, and faster repair and maintenance. The individual hardware of an applet, such as valve, columns and detectors are installed individually inside the analyzer oven. Consequently, the analytical maintenance of each item is performed in the analyzer.

Designing standardized applets as a module, with defined gas and electrical connectivity means you can maintain modules using existing practices or simply exchange them for an identical spare. Each applet module consists of an eight-channel TCD and a single- or dual-column train.



Applet, a simple standardized column train



Single and Dual Applet Modules in Airless Oven

A mounting bracket combines the Model 50 valve, the TCD, the separation columns with the mating blocks for carrier and sample gas, and the vent lines. The MAXUM oven can accommodate up to four (two dual column trains) in the airless oven and up to eight (four dual column trains) in the airbath oven. The entire applet module can be exchanged in minutes. The design, functionality and simple and quick exchangeability has been proven with several hundred modules installed over the last years.

### How does the MAXUM design benefit you?

#### Maintenance and Repair Inside the Analyzer

You can maintain the column trains using existing practices. The intuitive design permits you to easily replace individual parts and to adjust pressure, valve, and peak gates.

#### Maintenance and Repair by Exchange

With the standardized design, you can exchange a module for an on-site spare in minutes. Each factory tested module is delivered with individual electronic pressure control settings for optimum component separation and repeatable valve and peak retention times. Thus, the analyzer is ready to go back online quickly after calibration. Simple exchange and setup means also a non expert in gas chromatographs can complete these tasks even under adverse ambient conditions.

#### Applet Module Repair

The applet module can be repaired at your shop with the simple replacement of valves, columns, or TCD thermistors. However, a GC should be available to verify the repair, condition the column train, and determine carrier gas pressure settings. These tests are essential for confirming that the applet module has been repaired correctly, is functional, to determine the optimum EPC pressure settings and is therefore ready for installation.

If onsite repair is not possible, you can send the module to the U.S. Siemens Process Analytics factory. We can provide replacement modules within 24-48 hours, depending on the applet type, that are conditioned and tested, and furnished with carrier gas settings and chromatogram.

Combining the simplicity of MAXUM parallel chromatography with the simplicity of maintainability ensures ease of understanding, long term reproducible performance, simple repair and thus short off-line time.

**We are Siemens. We can do that.**

Published by  
**Siemens Industry, Inc.**  
 Process Automation  
 Process Industries and Drives  
 100 Technology Drive,  
 Alpharetta, GA 30005  
 1-800-964-4114  
 info.us@siemens.com

Subject to change without prior notice  
 Order No.: PIAFL-00037-0218  
 Printed in USA  
 All rights reserved  
 © 2018 Siemens Industry, Inc.

The technical data presented in this document is based on an actual case or on as-designed parameters, and therefore should not be relied upon for any specific application and does not constitute a performance guarantee for any projects. Actual results are dependent on variable conditions. Accordingly, Siemens does not make representations, warranties, or assurances as to the accuracy, currency or completeness of the content contained herein. If requested, we will provide specific technical data or specifications with respect to any customer's particular applications. Our company is constantly involved in engineering and development. For that reason, we reserve the right to modify, at any time, the technology and product specifications contained herein.

#### For more information please contact:

5980 West Sam Houston Parkway North  
 Suite 500  
 Houston, TX 77041  
 713-939-7400  
 ProcessAnalyticsSales.industry@siemens.com