

**Overview**

The measuring principle of the OXYMAT 61 gas analyzers is based on the paramagnetic alternating pressure method and is used to measure oxygen in gases in standard applications.

**Benefits**

- Integrated pump for reference gas (option, e.g. ambient air)
- High linearity
- Compact design
- Physically suppressed zero possible

**Application****Application areas**

- Environmental protection
- Boiler control in firing systems
- Quality monitoring (e.g. in ultra-pure gases)
- Process exhaust monitoring
- Process optimization

**Further applications**

- Chemical plants
- Gas manufacturers
- Research and development

**Design**

- 19" slide-in module with 4 HU for installation
  - In hinged frame
  - In cabinets with or without telescope rails
- Front plate can be swung down for servicing purposes (laptop connection)
- Gas connections for sample gas inlet and outlet; pipe diameter 6 mm or 1/4"
- Gas and electrical connections at the rear

**Display and control panel**

- Large LCD field for simultaneous display of
  - Measured value
  - Status bar
  - Measuring ranges
- Contrast of LCD panel adjustable using menu
- Permanent LED backlighting
- Washable membrane keyboard with five softkeys
- Menu-driven operation for parameterization, test functions, adjustment
- User help in plain text
- Graphic display of concentration trend; programmable time intervals
- Bilingual operating software German/English, English/Spanish, French/English, Spanish/English, Italian/English

**Input and outputs**

- One analog output per medium (from 0, 2, 4 to 20 mA; NAMUR parameterizable)
- Six digital inputs freely configurable (e.g. for measurement range switchover, processing of external signals from sample preparation)
- Six relay outputs freely configurable (failure, maintenance demanded, maintenance switch, threshold alarm, external magnetic valves)
- Two analog inputs configurable (e.g. correction of cross-interference, external pressure sensor)
- Expansion by eight additional digital inputs and eight additional relay outputs for autocalibration with up to four calibration gases

**Communication**

RS 485 present in basic unit (connection from the rear).

**Options**

- RS 485/RS 232 converter
- RS 485/Ethernet converter
- RS 485/USB converter
- Connection to networks via PROFIBUS DP/PA interface
- SIPROM GA software as service and maintenance tool

# Extractive continuous process gas analysis

Series 6

OXYMAT 61

## General information

LED backlit graphic display and membrane keyboard with noticeable click

Status line to display the analyzer status (programmable)

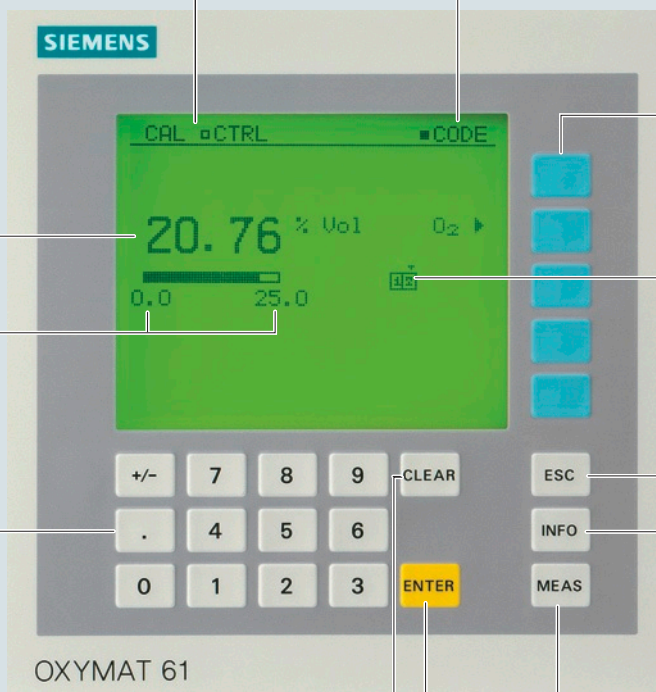
Two code levels according to NAMUR (maintenance and specialist level)

Display of concentrations as numbers and bargraph

Display of start-of-scale and full-scale values

Keyboard to enter values

CLEAR key to delete inputs



Easy operation menu controlling the softkeys

Display of current measuring ranges

ESC key to abort inputs

INFO key for help in plain text

MEAS key to return to measurement mode

ENTER key to accept input values

OXYMAT 61, membrane keyboard and graphic display

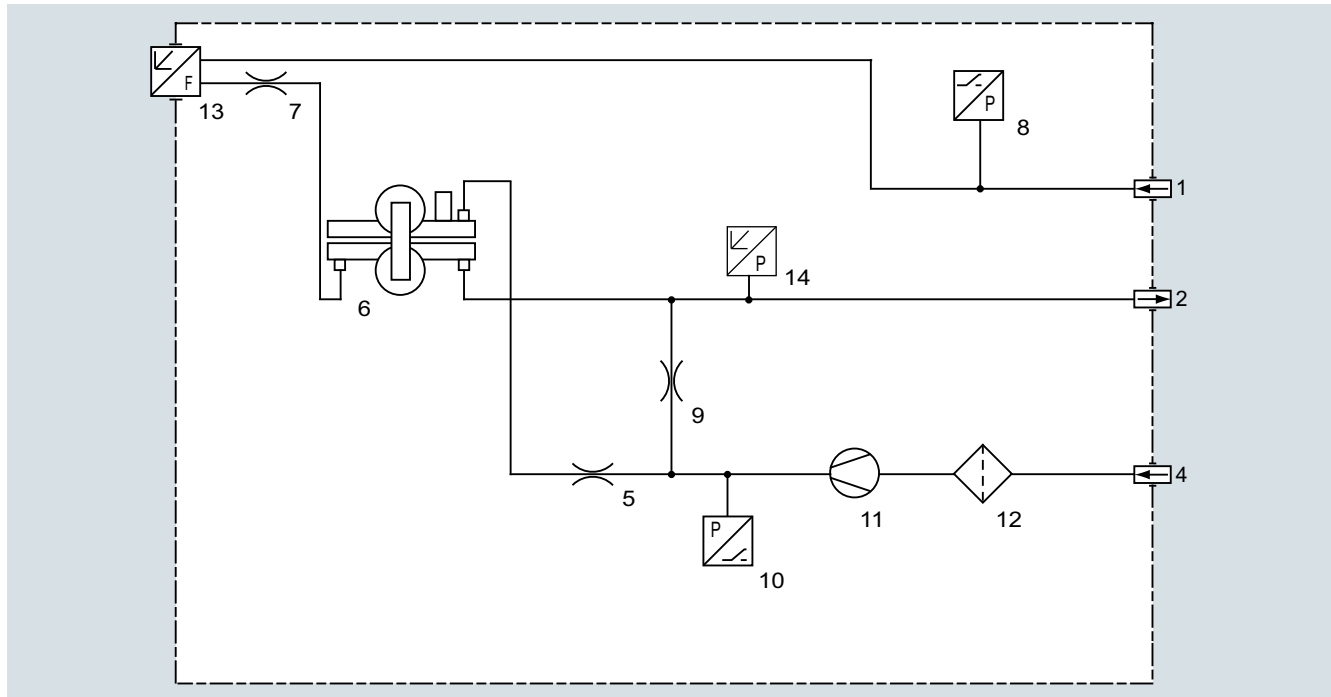
### Designs – Parts wetted by sample gas, standard

Gas path		19" rack unit
<b>With hoses</b>	Bushing	Stainless steel. Mat. no. 1.4571
	Hose	FKM (Viton)
	Sample chamber	Stainless steel. Mat. no. 1.4571
	Fittings for sample chamber	Stainless steel. Mat. no. 1.4571
	Restrictor	PTFE (Teflon)
	O-rings	FKM (Viton)
	Hose coupling	Polyamide 6
<b>Options</b>		
<b>Flow indicator</b>	Measurement pipe	Duran glass
	Variable area	Duran glass, black
	Suspension boundary	PTFE (Teflon)
	Angle pieces	FKM (Viton)
<b>Pressure switch</b>	Diaphragm	FKM (Viton)
	Enclosure	PA 6.3 T

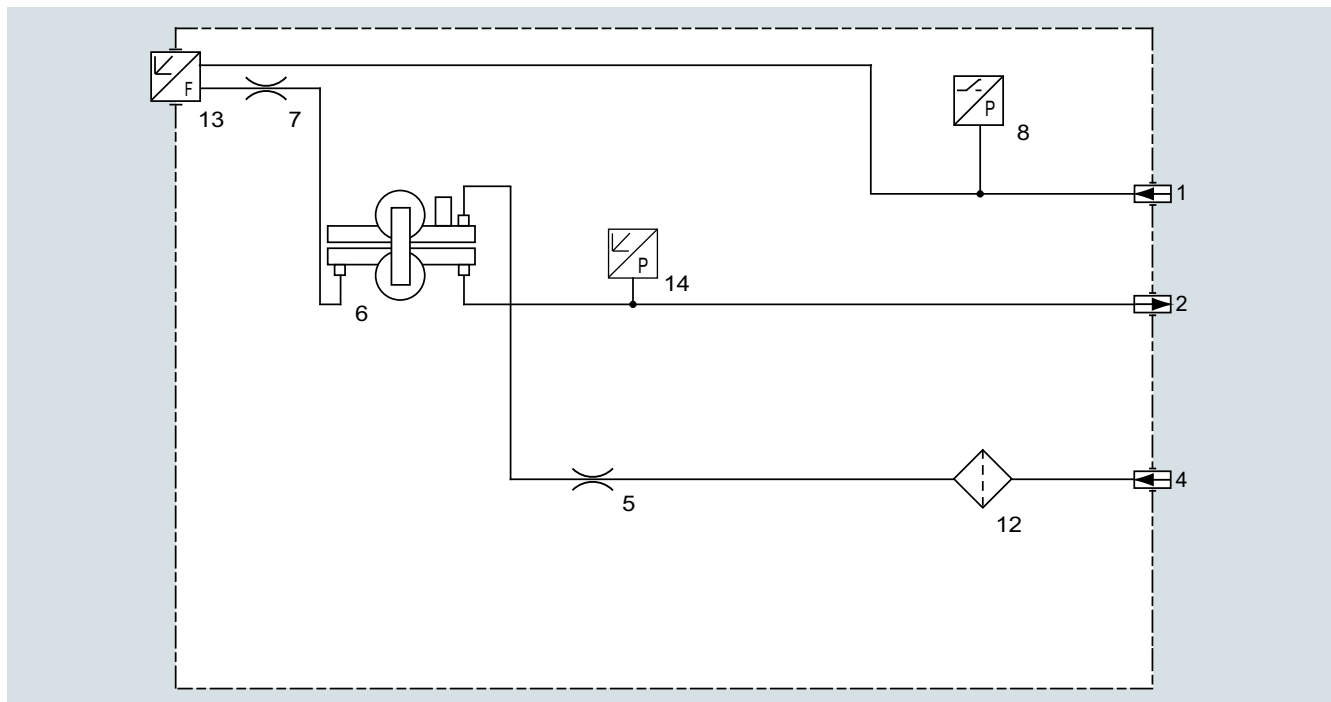
## Gas path

## Legend for the gas path figures

1	Sample gas inlet	8	Pressure switch in sample gas channel (option)
2	Sample gas outlet	9	Restrictor in reference gas path (outlet)
3	Not used	10	Pressure switch for reference gas monitoring
4	Reference gas inlet	11	Pump
5	Restrictor in reference gas path	12	Filter
6	O <sub>2</sub> physical system	13	Flow indicator in sample gas channel (optional)
7	Restrictor in sample gas path	14	Pressure sensor



Gas path OXYMAT 61 with integrated reference gas pump (connection for 1 100 hPa, absolute)



Gas path OXYMAT 61 with reference gas connection 3 000 to 5 000 hPa, absolute

# Extractive continuous process gas analysis

Series 6

OXYMAT 61

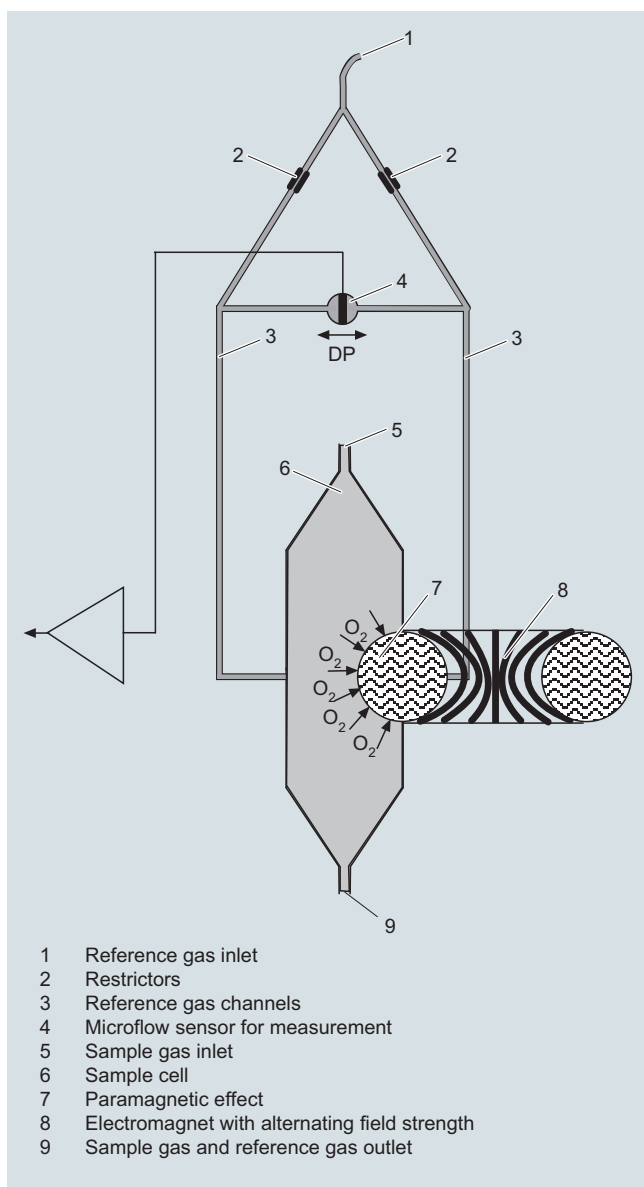
## General information

### Function

In contrast to almost all other gases, oxygen is paramagnetic. This property is utilized as the measuring principle by the OXYMAT 61 gas analyzers.

Oxygen molecules in an inhomogeneous magnetic field are drawn in the direction of increased field strength due to their paramagnetism. When two gases with different oxygen contents meet in a magnetic field, a pressure difference is produced between them.

In the case of OXYMAT 61, one gas (1) is a reference gas ( $N_2$ ,  $O_2$  or air), the other is the sample gas (5). The reference gas is introduced into the sample chamber (6) through two channels (3). One of these reference gas streams meets the sample gas within the area of a magnetic field (7). Because the two channels are connected, the pressure, which is proportional to the oxygen content, causes a cross flow. This flow is converted into an electric signal by a microflow sensor (4).



OXYMAT 61, principle of operation

The microflow sensor consists of two nickel-plated grids heated to approximately 120 °C, which, along with two supplementary resistors, form a Wheatstone bridge. The pulsating flow results in a change in the resistance of the Ni grids. This leads to an offset in the bridge which is dependent on the oxygen concentration of the sample gas.

Because the microflow sensor is located in the reference gas stream, the measurement is not influenced by the thermal conductivity, the specific heat or the internal friction of the sample gas. This also provides a high degree of corrosion resistance because the microflow sensor is not exposed to the direct influence of the sample gas.

By using a magnetic field with alternating strength (8), the effect of the background flow in the microflow sensor is not detected, and the measurement is thus independent of the instrument's operating position.

The sample chamber is directly in the sample path and has a small volume, and the microflow sensor is a low-lag sensor. This results in a very short response time for the OXYMAT 61.

#### Note

The sample gases must be fed into the analyzers free of dust. Condensation in the sample chambers must be prevented. Therefore, gas modified for the measuring tasks is necessary in most application cases.

#### Essential characteristics

- Four measuring ranges which can be freely configured, even with suppressed zero point, all measuring ranges are linear
- Galvanically isolated measured-value output 0/2/4 to 20 mA (also inverted)
- Autoranging possible; remote switching is also possible
- Storage of measured values possible during adjustments
- Wide range of selectable time constants (static/dynamic noise suppression); i.e. the response time of the device can be adapted to the respective measuring task
- Easy handling thanks to menu-driven operation
- Low long-term drift
- Two control levels with their own authorization codes for the prevention of accidental and unauthorized operator interventions
- Automatic measuring range calibration can be configured
- Operation based on the NAMUR recommendation
- Monitoring of sample gas (option)
- Customer-specific analyzer options such as:
  - Customer acceptance
  - TAG labels
  - Drift recording
- Simple handling using a numerical membrane keyboard and operator prompting
- Short response time
- Reference gas supply either externally ( $N_2$ ,  $O_2$  or air, approx. 3 000 hPa) or via built-in reference gas pump (ambient air, approx. 1 100 hPa abs.)
- Monitoring of reference gas with reference gas connection; only on version with built-in reference gas pump
- Different smallest measuring ranges, depending on version 2.0% or 5.0%  $O_2$
- Internal pressure sensor for correction of fluctuations in the sample gas pressure

**Correction of zero error / cross-sensitivities**

Accompanying gas (concentration 100 vol.%)	Deviation from zero point in vol.% O <sub>2</sub> absolute	Accompanying gas (concentration 100 vol.%)	Deviation from zero point in vol.% O <sub>2</sub> absolute
<b>Organic gases</b>		<b>Inert gases</b>	
Ethane C <sub>2</sub> H <sub>6</sub>	-0.49	Helium He	+0.33
Ethene (ethylene) C <sub>2</sub> H <sub>4</sub>	-0.22	Neon Ne	+0.17
Ethine (acetylene) C <sub>2</sub> H <sub>2</sub>	-0.29	Argon Ar	-0.25
1.2 butadiene C <sub>4</sub> H <sub>6</sub>	-0.65	Krypton Kr	-0.55
1.3 butadiene C <sub>4</sub> H <sub>6</sub>	-0.49	Xenon Xe	-1.05
n-butane C <sub>4</sub> H <sub>10</sub>	-1.26	<b>Inorganic gases</b>	
iso-butane C <sub>4</sub> H <sub>10</sub>	-1.30	Ammonia NH <sub>3</sub>	-0.20
1-butene C <sub>4</sub> H <sub>8</sub>	-0.96	Hydrogen bromide HBr	-0.76
iso-butene C <sub>4</sub> H <sub>8</sub>	-1.06	Chlorine Cl <sub>2</sub>	-0.94
Dichlorodifluoromethane (R12) CCl <sub>2</sub> F <sub>2</sub>	-1.32	Hydrogen chloride HCl	-0.35
Acetic acid CH <sub>3</sub> COOH	-0.64	Dinitrogen monoxide N <sub>2</sub> O	-0.23
n-heptane C <sub>7</sub> H <sub>16</sub>	-2.40	Hydrogen fluoride HF	+0.10
n-hexane C <sub>6</sub> H <sub>14</sub>	-2.02	Hydrogen iodide HI	-1.19
Cyclo-hexane C <sub>6</sub> H <sub>12</sub>	-1.84	Carbon dioxide CO <sub>2</sub>	-0.30
Methane CH <sub>4</sub>	-0.18	Carbon monoxide CO	+0.07
Methanol CH <sub>3</sub> OH	-0.31	Nitrogen oxide NO	+42.94
n-octane C <sub>8</sub> H <sub>18</sub>	-2.78	Nitrogen N <sub>2</sub>	0.00
n-pentane C <sub>5</sub> H <sub>12</sub>	-1.68	Nitrogen dioxide NO <sub>2</sub>	+20.00
iso-pentane C <sub>5</sub> H <sub>12</sub>	-1.49	Sulfur dioxide SO <sub>2</sub>	-0.20
Propane C <sub>3</sub> H <sub>8</sub>	-0.87	Sulfur hexafluoride SF <sub>6</sub>	-1.05
Propylene C <sub>3</sub> H <sub>6</sub>	-0.64	Hydrogen sulfide H <sub>2</sub> S	-0.44
Trichlorofluoromethane (R11) CCl <sub>3</sub> F	-1.63	Water H <sub>2</sub> O	-0.03
Vinyl chloride C <sub>2</sub> H <sub>3</sub> Cl	-0.77	Hydrogen H <sub>2</sub>	+0.26
Vinyl fluoride C <sub>2</sub> H <sub>3</sub> F	-0.55		
1.1 vinylidene chloride C <sub>2</sub> H <sub>2</sub> Cl <sub>2</sub>	-1.22		

Table 1: Zero error due to diamagnetism or paramagnetism of some accompanying gases with nitrogen as the reference gas at 60 °C and 1 000 hPa absolute (according to IEC 1207/3)

**Conversion to other temperatures:**

The deviations from the zero point listed in Table 1 must be multiplied by a correction factor (k):

- with diamagnetic gases:  $k = 333 \text{ K} / (\varphi [^{\circ}\text{C}] + 273 \text{ K})$
- with paramagnetic gases:  $k = [333 \text{ K} / (\varphi [^{\circ}\text{C}] + 273 \text{ K})]^2$

All diamagnetic gases have a negative deviation from zero point.

**Reference gases**

Measuring range	Recommended reference gas	Reference gas connection pressure	Remarks
0 to ... vol.% O <sub>2</sub>	N <sub>2</sub>	2 000 ... 4 000 hPa above sample gas pressure (max. 5 000 hPa absolute)	The reference gas flow is set automatically to 5 ... 10 ml/min.
... to 100 vol.% O <sub>2</sub> (suppressed zero point with full-scale value 100 vol.% O <sub>2</sub> )	O <sub>2</sub>		
Around 21 vol.% O <sub>2</sub> (suppressed zero point with 21 vol.% O <sub>2</sub> within the measuring span)	Air	Atm. pressure with internal reference gas pump	

# Extractive continuous process gas analysis

Series 6

OXYMAT 61

19" rack unit

1

## Technical specifications

### General information

Measuring ranges	4, internally and externally switchable; autoranging is also possible
Smallest possible span (relating to sample gas pressure 1 000 hPa absolute, 0.5 l/min sample gas flow and 25 °C ambient temperature)	2 vol.% or 5 vol.% O <sub>2</sub>
Largest possible measuring span	100 vol.% O <sub>2</sub>
Measuring ranges with suppressed zero point	Any zero point within 0 ... 100 vol.% can be implemented, provided that a suitable reference gas is used
Operating position	Front wall, vertical
Conformity	CE mark in accordance with EN 50081-1 and EN 50082-2

### Design, enclosure

Degree of protection	IP20 according to EN 60529
Weight	Approx. 13 kg

### Electrical characteristics

Auxiliary power	100 ... 120 V AC (nominal range of use 90 ... 132 V), 48 ... 63 Hz or 200 ... 240 V AC (nominal range of use 180 ... 264 V), 48 ... 63 Hz
Power consumption	Approx. 45 VA
EMC (electromagnetic compatibility)	In accordance with standard requirements of NAMUR NE21 (08/98)
Electrical safety	According to EN 61010-1, overvoltage category III
Fuse values	100 ... 120 V: 1.0 T/250 200 ... 240 V: 0.63 T/250

### Gas inlet conditions

Permissible sample gas pressure	800 ... 1 200 hPa absolute
• External reference gas supply	Atmospheric pressure ±50 hPa
• With integrated pump	
Sample gas flow	18 ... 60 l/h (0.3 ... 1 l/min)
Sample gas temperature	Min. 0 to max. 50 °C, but above the dew point
Sample gas humidity	< 90% relative humidity
Reference gas pressure (high-pressure version)	2 000 to 4 000 hPa above sample gas pressure, but max. 5 000 hPa absolute (version without reference gas pump)
Reference gas pressure (low-pressure version) with external pump	Min. 100 hPa above sample gas pressure

### Dynamic response

Warm-up period	At room temperature < 30 min (the technical specification will be met after 2 hours)
Delayed display (T <sub>90</sub> )	3.5 s
Damping (electrical time constant)	0 ... 100 s, configurable
Dead time (purging time of the gas path in the unit at 1 l/min)	Approximately 0.5 ... 2.5 s, depending on version
Time for device-internal signal processing	< 1 s

### Pressure correction range

Pressure sensor internal	500 ... 2 000 hPa, absolute (see gas inlet conditions for permissible sample gas pressure)
--------------------------	--

### Measuring response

	Based on sample gas pressure 1 013 hPa absolute, 0.5 l/min sample gas flow and 25 °C ambient temperature
Output signal fluctuation	< ± 0.75% of the smallest possible measuring range according to rating plate, with electronic damping constant of 1 s (corresponds to ±0.25% at 2 σ)
Zero point drift	< ± 0.5%/month of the smallest possible span according to rating plate
Measured-value drift	< ±0.5%/month of the current measuring range
Repeatability	< 1% of the current measuring range
Detection limit	1% of the current measuring range
Linearity error	< 1% of the current measuring range

### Influencing variables

	Based on sample gas pressure 1 013 hPa absolute, 0.5 l/min sample gas flow and 25 °C ambient temperature
Ambient temperature	< 1% of the current measuring range/10 K Zero offset: < 0.1 vol.% O <sub>2</sub> absolute/10 K
Sample gas pressure (with air (100 hPa) as internal reference gas supply, correction of the atmospheric pressure fluctuations is only possible if the sample gas can vent to ambient air.)	<ul style="list-style-type: none"> <li>• With disabled pressure compensation: &lt; 2% of the current measuring range/1% pressure change</li> <li>• With enabled pressure compensation: &lt; 0.2% of the current measuring range/1% pressure change</li> </ul>
Accompanying gases	Deviation from zero point corresponding to paramagnetic or diamagnetic deviation of accompanying gas (see table)
Sample gas flow at zero point	< 1% of the current measuring range according to rating plate with a change in flow of 0.1 l/min within the permissible flow range
Auxiliary power	< 0.1% of the current measuring range with rated voltage ± 10%

### Electrical inputs and outputs

Analog output	0/2/4 ... 20 mA, floating; max. load 750 Ω
Relay outputs	6, with changeover contacts, freely configurable, e.g. for measuring range identification; load: 24 V AC/DC/1 A, floating
Analog inputs	2, dimensioned for 0/2/4 ... 20 mA for external pressure sensor and accompanying gas influence correction (correction of cross-interference)
Digital inputs	6, designed for 24 V, floating, freely configurable, e.g. for measuring range switchover
Serial interface	RS 485
Options	AUTOCAL function each with 8 additional digital inputs and relay outputs, also with PROFIBUS PA or PROFIBUS DP

### Climatic conditions

Permissible ambient temperature	-30 ... +70 °C during storage and transportation 5 ... 45 °C during operation
Permissible humidity	< 90% relative humidity as annual average, during storage and transportation (must not fall below dew point)

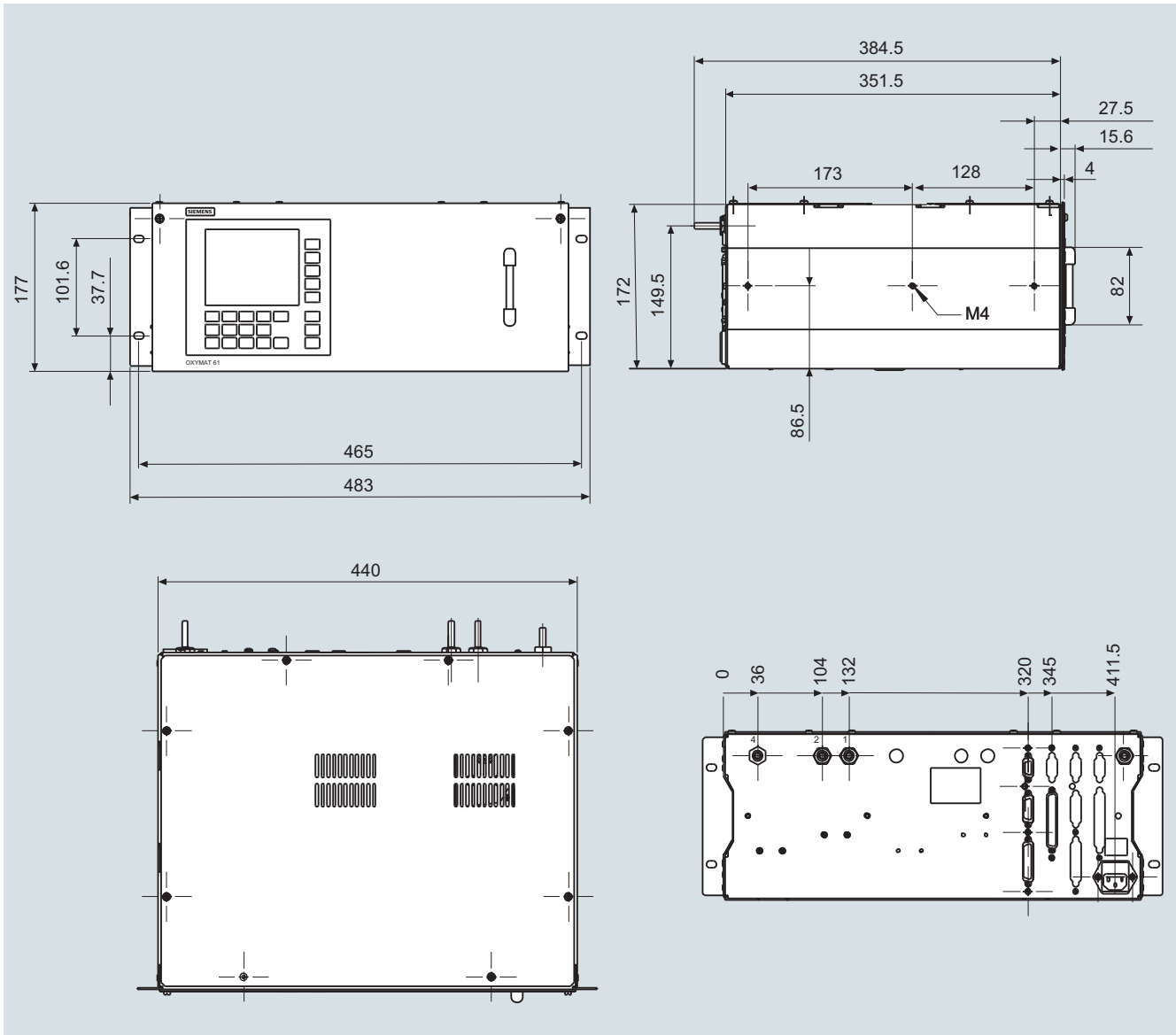
Selection and ordering data	Article No.	
<b>OXYMAT 61 gas analyzer</b> 19" rack unit for installation in cabinets <a href="#">Click on the Article No. for the online configuration in the PIA Life Cycle Portal.</a>	7MB2001- A 0 0 -	Cannot be combined
<u>Gas connections for sample gas and reference gas</u> Pipe with 6 mm outer diameter Pipe with 1/4" outer diameter	0 1	
<u>Smallest possible measuring span O<sub>2</sub></u> 2 % Reference gas pressure 3 000 hPa 2 % reference gas supply with internal pump 5 % Reference gas pressure 3 000 hPa 5 % reference gas supply with internal pump	C D E F	D → Y02 F → Y02
<u>Power supply</u> 100 ... 120 V AC, 48 ... 63 Hz 200 ... 240 V AC, 48 ... 63 Hz	0 1	
<u>Sample gas monitoring</u> Without With (incl. flow indicator and pressure switch)	A D	
<u>Add-on electronics</u> Without AUTOCAL function <ul style="list-style-type: none"> <li>With 8 additional digital inputs/outputs</li> <li>With serial interface for the automotive industry (AK)</li> <li>With 8 additional digital inputs/outputs and PROFIBUS PA interface</li> <li>With 8 additional digital inputs/outputs and PROFIBUS DP interface</li> </ul>	A B D E F	
<u>Language</u> German English French Spanish Italian	0 1 2 3 4	
<b>Additional versions</b>	<b>Order code</b>	
Add "-Z" to Article No. and specify Order code		
Telescopic rails (2 units)	A31	
TAG labels (specific lettering based on customer information)	B03	
Attenuation element for sample gas	B04	→ Y02
SIL conformity declaration (SIL 2) Functional Safety according to IEC 61508 and IEC 61511	C20	
Clean for O <sub>2</sub> service (specially cleaned gas path)	Y02	
Measuring range indication in plain text, if different from the standard setting <sup>1)</sup>	Y11	
<b>Accessories</b>	<b>Article No.</b>	
RS 485/Ethernet converter	A5E00852383	
RS 485/RS 232 converter	C79451-Z1589-U1	
RS 485/USB converter	A5E00852382	
AUTOCAL function each with 8 digital inputs/outputs	C79451-A3480-D511	
AUTOCAL function 8 digital inputs/outputs each and PROFIBUS PA	A5E00057307	
AUTOCAL function 8 digital inputs/outputs each and PROFIBUS DP	A5E00057312	
Set of Torx screwdrivers	A5E34821625	
<sup>1)</sup> Standard setting:	Measuring range 1: 0 to smallest measuring span Measuring range 2: 0 to 10 % Measuring range 3: 0 to 25 % Measuring range 4: 0 to 100 %	

**Extractive continuous process gas analysis**

Series 6

OXYMAT 61

19" rack unit

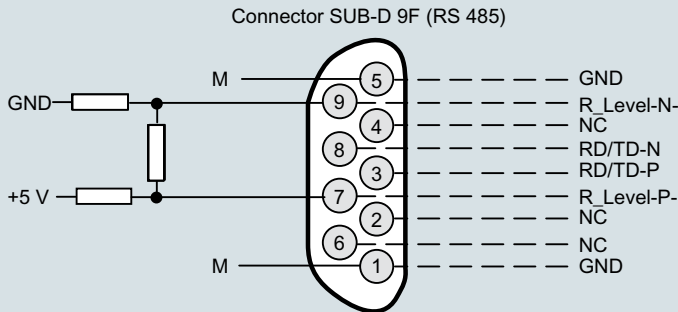
**Dimensional drawings**

OXYMAT 61, 19" unit, dimensions in mm

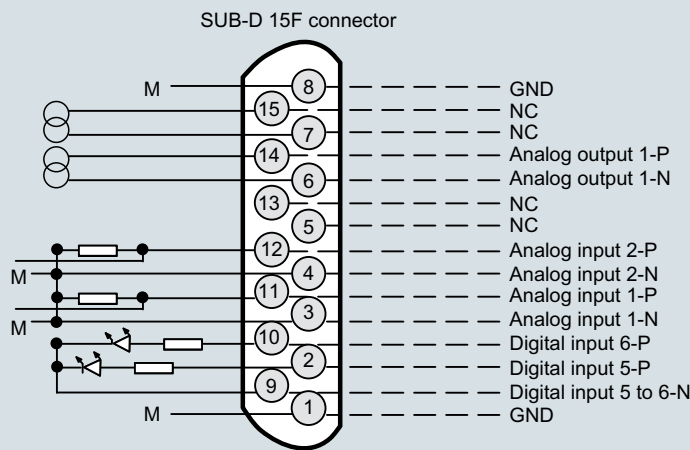


**Circuit diagrams**

**Pin assignment (electrical connections)**

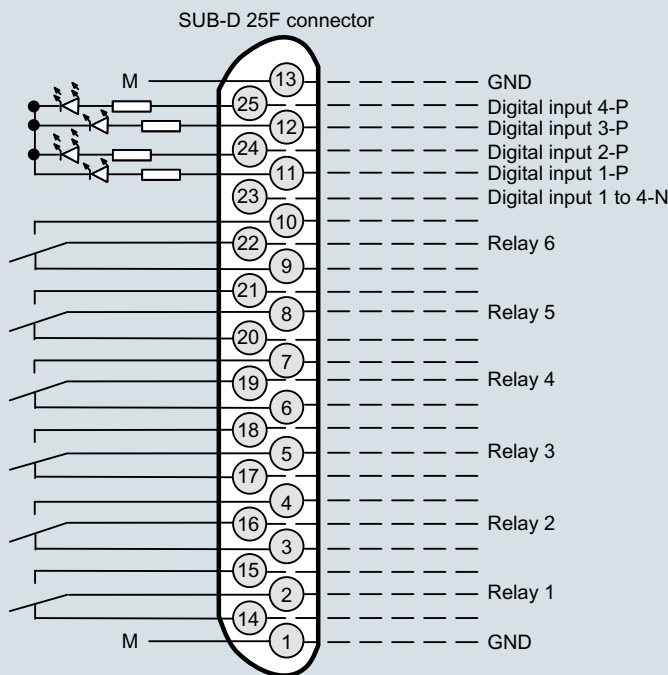


It is possible to connect bus terminating resistors to pins 7 and 9.



Analog outputs isolated (also from each other),  $R_i \leq 750 \Omega$

Pressure correction } Non-isolated analog inputs,  
 Pressure correction } 0 ... 20 mA/500  $\Omega$  or  
 Correction of cross-interference } 0 ... 10 V (low resistance)  
 Correction of cross-interference }



Isolated via optocoupler  
 "0" = 0 V (0 ... 4.5 V)  
 "1" = 24 V (13 ... 33 V)

Contact load max. 24 V/1 A, AC/DC  
 The relay is current-free for the relay contact position shown

Note:  
 All cables to the connectors or terminal blocks must be shielded and rest against the enclosure potential.

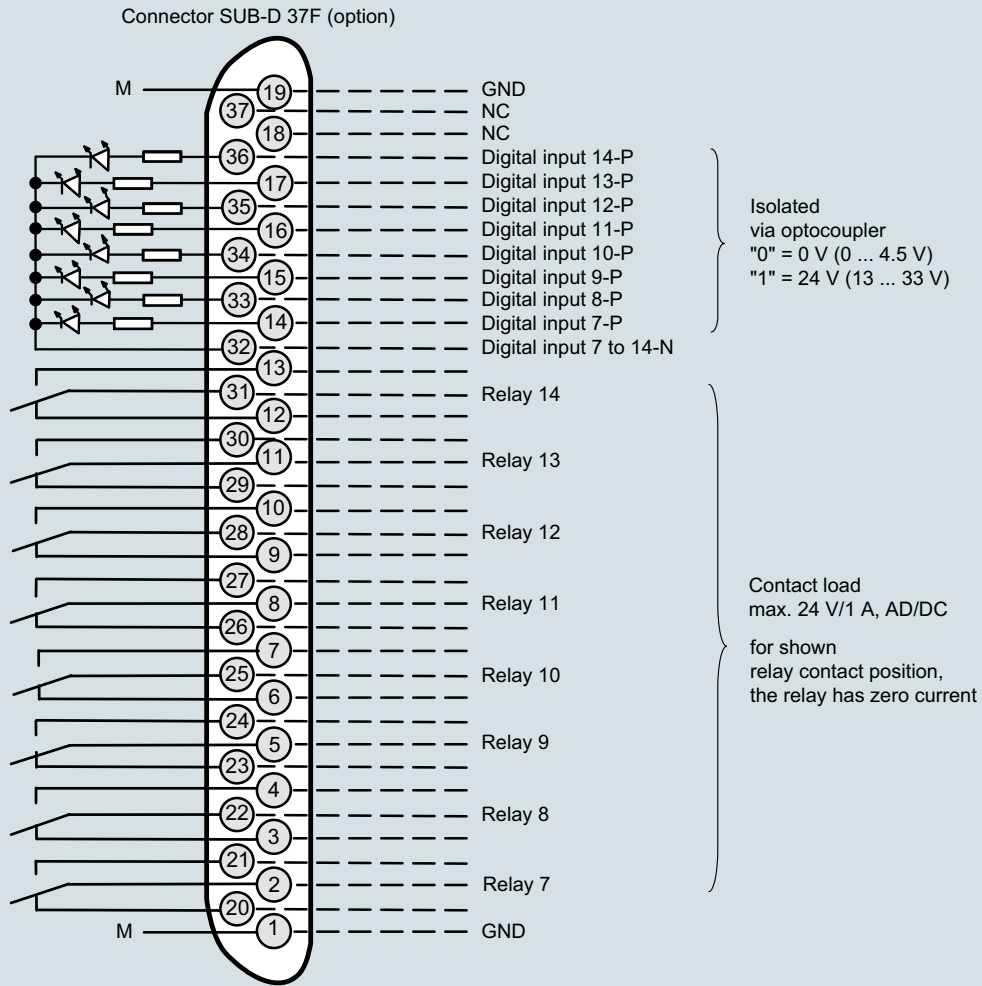
OXYMAT 61, 19" unit, pin assignment

# Extractive continuous process gas analysis

Series 6  
OXYMAT 61

19" rack unit

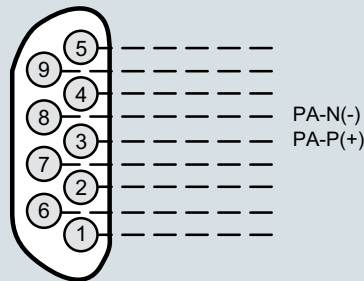
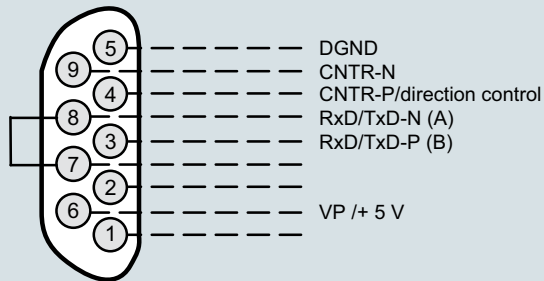
## Pin assignment (electrical connections)



Connector SUB-D 9F-X90  
PROFIBUS DP

Optional

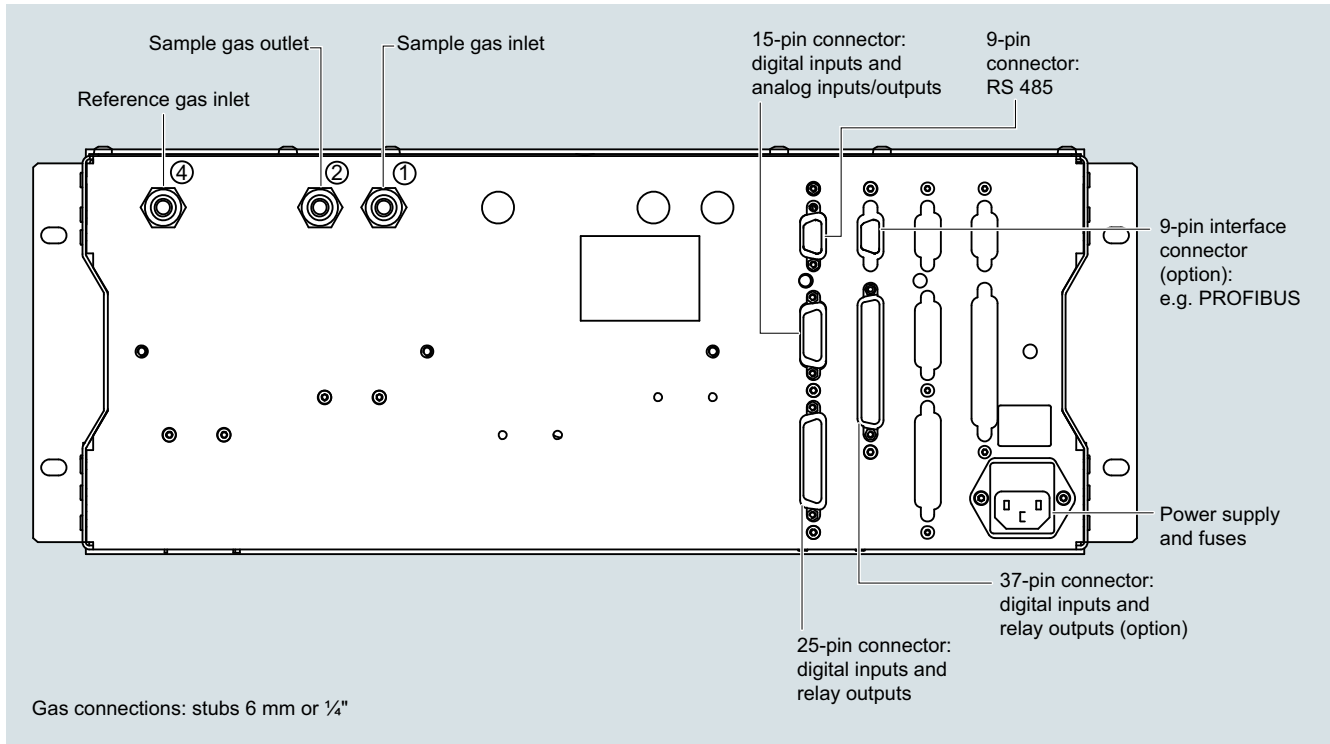
Connector SUB-D 9M-X90  
PROFIBUS PA



Note:  
All cables to the connectors or terminal blocks must be shielded and rest against the enclosure potential.

OXYMAT 61, 19" unit, pin assignment of the AUTOCAL board and PROFIBUS connectors

**Gas and electrical connections**



OXYMAT 61, 19" unit, gas and electrical connections

# Extractive continuous process gas analysis

Series 6

OXYMAT 61

## Documentation, suggestions for spare parts

1

### Selection and ordering data

Operating instructions	Article No.
<b>OXYMAT 61</b> Gas analyzer for measurement of oxygen	
• German	<b>A5E00123066</b>
• English	<b>A5E00123067</b>
• French	<b>A5E00123068</b>
• Spanish	<b>A5E00123069</b>
• Italian	<b>A5E00123070</b>

### More information

The complete documentation is available in various languages for downloading free of charge:

<http://www.siemens.com/processanalytics/documentation>

### Selection and ordering data

Description	Quantity for 2 years	Quantity for 5 years	Article No.
<b>Analyzer unit</b>			
Reference gas supply (pump, restrictor, pressure switch, hose)	1	1	<b>A5E00114838</b>
Set of gaskets for sample gas pump	2	5	<b>A5E35875733</b>
O-ring	1	2	<b>C74121-Z100-A6</b>
Pressure switch (sample gas)	1	2	<b>C79302-Z1210-A2</b>
Flowmeter	1	2	<b>C79402-Z560-T1</b>
Sample chamber			
• Stainless steel, mat. no. 1.4571; non-flow-type compensation branch	-	1	<b>C79451-A3277-B535</b>
• O-ring (measuring head)	2	4	<b>C79121-Z100-A32</b>
• O ring (fitting)	2	4	<b>C71121-Z100-A159</b>
Measuring head (non-flow-type compensation branch)	1	1	<b>C79451-A3460-B525</b>
Restrictor for sample gas path, hose	2	2	<b>C79451-A3480-C10</b>
Reference gas path, 3000 hPa (set of parts)	1	1	<b>C79451-A3480-D518</b>
<b>Electronics</b>			
Front plate with keyboard	1	1	<b>A5E00259978</b>
Motherboard, with firmware: see spare parts list	-	1	
Adapter plate, LCD/keyboard	1	1	<b>C79451-A3474-B605</b>
Magnetic field connection plate	-	1	<b>C79451-A3474-B606</b>
LC display	1	1	<b>A5E31474846</b>
Connector filter	-	1	<b>W75041-E5602-K2</b>
Fuse			
• 0.63 A/250 V (230 V version)	2	3	<b>W79054-L1010-T630</b>
• 1.0 A/250 V (110 V version)	2	3	<b>W79054-L1011-T100</b>

If the OXYMAT 61 was supplied with a specially cleaned gas path for high oxygen context ("Clean for O<sub>2</sub> service"), please ensure that you specify this when ordering spare parts. This is the only way to guarantee that the gas path will continue to comply with the special requirements for this version.