

Instructions

August, 2012

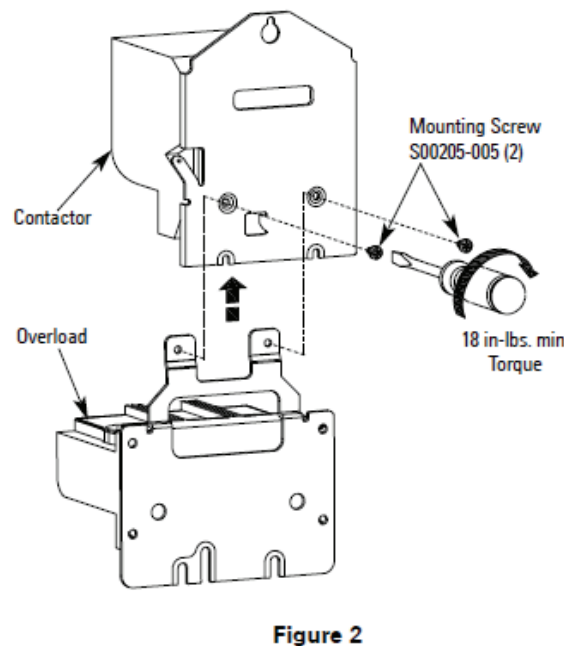
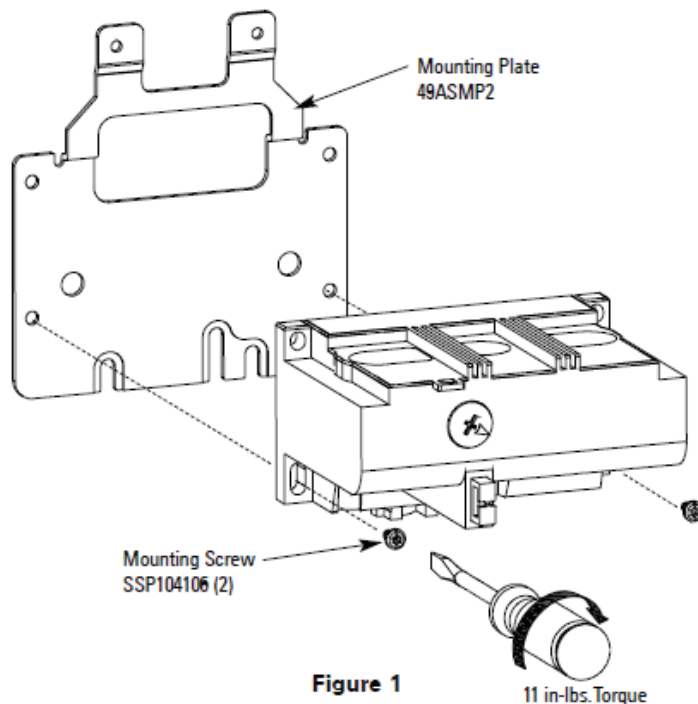
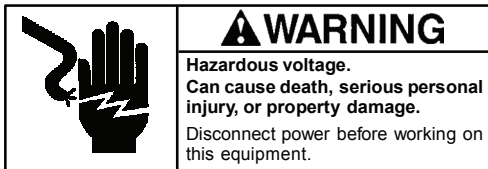
IMPORTANT

THESE INSTRUCTIONS DO NOT PURPORT TO COVER ALL DETAILS OR VARIATIONS IN EQUIPMENT, NOR TO PROVIDE FOR EVERY POSSIBLE CONTINGENCY TO BE MET IN CONNECTION WITH INSTALLATION, OPERATION OR MAINTENANCE. SHOULD FURTHER INFORMATION BE DESIRED OR SHOULD PARTICULAR PROBLEMS ARISE WHICH ARE NOT COVERED SUFFICIENTLY FOR THE PURCHASER'S PURPOSES, THE MATTER SHOULD BE REFERRED TO THE LOCAL SIEMENS SALES OFFICE.

THE CONTENTS OF THIS INSTRUCTION MANUAL SHALL NOT BECOME PART OF OR MODIFY ANY PRIOR OR EXISTING AGREEMENT, COMMITMENT OR RELATIONSHIP. THE SALES CONTRACT CONTAINS THE ENTIRE OBLIGATION OF SIEMENS. THE WARRANTY CONTAINED IN THE CONTRACT BETWEEN THE PARTIES IS THE SOLE WARRANTY OF SIEMENS. ANY STATEMENTS CONTAINED HEREIN DO NOT CREATE NEW WARRANTIES OR MODIFY THE EXISTING WARRANTY.

E87010-A0149-T003-A1-49AS

Mounting Plate for
ESP100 Overload Relay
NEMA Size 2 & 2 1/2
Contactor Class 40
Cat. No. 49ASMP2



Contents of Package:

- (1) Mounting plate 49ASMP2
- (2) Screws (SSP104106) for attaching ESP100 overload to mounting plate
- (2) Screws (S00205-005) for attaching ESP100 overload plate to contactor plate

Mounting Plate Installation:

1. Mount ESP100 overload to mounting plate 49ASMP2 using the (2) screws SSP104106 as shown in Figure 1.
2. Tighten and secure screws, using 11 in-lbs. torque.

Overload to Contactor Attachment:

1. Align mounting holes on both overload and contactor mounting plates. Mount the plate with ESP100 overload to contactor Cat. No. 40FP*, 40GP* using the (2) screws S00205-005 as shown in Figure 2.
2. Tighten and secure screws, using 18 in-lbs. min. torque.