

Instructions

April, 2017
Supersedes Issue of
January, 2016

E87010-A0142-T003-A4

Size 4 Clamshell Enclosure

Cat. No. 49EC14JB251409R

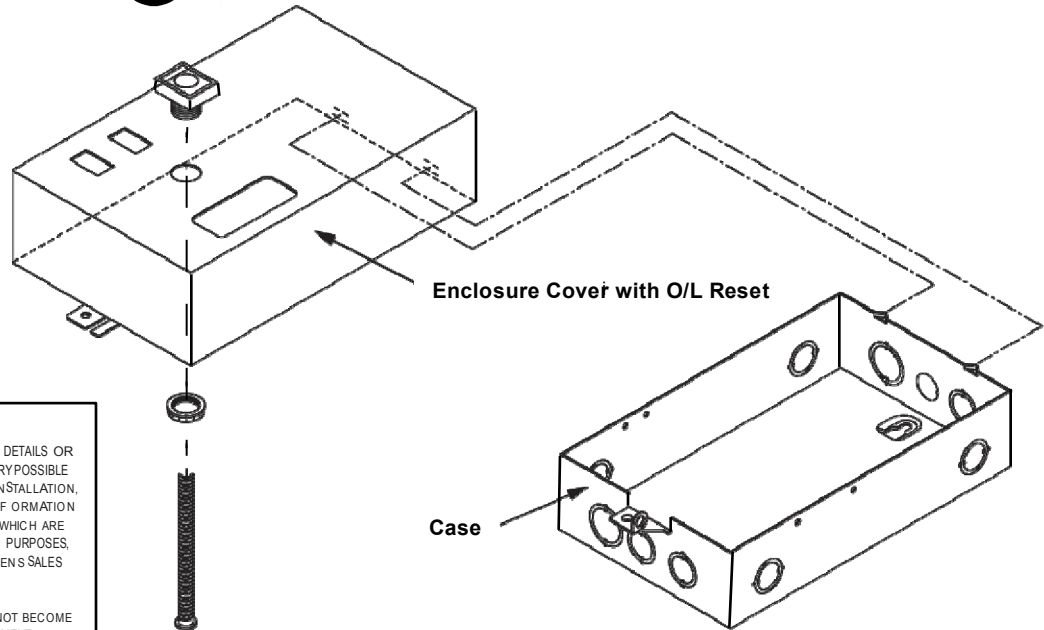


Figure 1

IMPORTANT

THESE INSTRUCTIONS DO NOT PURPORT TO COVER ALL DETAILS OR VARIATIONS IN EQUIPMENT, NOR TO PROVIDE FOR EVERY POSSIBLE CONTINGENCY TO BE MET IN CONNECTION WITH INSTALLATION, OPERATION OR MAINTENANCE. SHOULD FURTHER INFORMATION BE DESIRED OR SHOULD PARTICULAR PROBLEMS ARISE WHICH ARE NOT COVERED SUFFICIENTLY FOR THE PURCHASER'S PURPOSES, THE MATTER SHOULD BE REFERRED TO THE LOCAL SIEMENS SALES OFFICE.

THE CONTENTS OF THIS INSTRUCTION MANUAL SHALL NOT BECOME PART OF OR MODIFY ANY PRIOR OR EXISTING AGREEMENT, COMMITMENT OR RELATIONSHIP. THE SALES CONTRACT CONTAINS THE ENTIRE OBLIGATION OF SIEMENS. THE WARRANTY CONTAINED IN THE CONTRACT BETWEEN THE PARTIES IS THE SOLE WARRANTY OF SIEMENS. ANY STATEMENTS CONTAINED HEREIN DO NOT CREATE NEW WARRANTIES OR MODIFY THE EXISTING WARRANTY.

Description

Select device by Cat. No. from Table 1, case mount in hole locations as specified in Figure 2. Tighten all screws per torques specifications included with devices. If a pilot device is required, assemble and wire according to the instructions provided with each pilot device kit.

When the O/L Reset is not needed, remove and replace with a NEMA 1 hole plug 49MZPB2.

Contents of kit: (1) enclosure case, (1) enclosure cover, (1) Reset Button Assembly Kit, and miscellaneous self-tapping screws.

Catalog Number	Mounting Hole Location	Mntng. Screw Schedule by Hole Location	Self Tapping Mounting Screw	Torque (in-lb)
14 H,I	A	A, B, C	1/4-20 x 5/16	35
40J	B	F, G, H, I, J, K L, M, N, O	10-32 x 5/16	20
14J	C		8-32 x 5/16	
22H, I	D	P, R	10-32 x 1/2 Plus Flat Washer	35
22J	E	H1, H2	1/4-20 x 3/4 Plus Flat Washer	
30C, D, E (1 Winding)	F	D, E	1/4-20 x 3/4 Plus Flat Washer	35
30F, G (2 Windings)	G			
LEN00C	H1			
LEN00D	H2			
CLM0F	I			
KT*050	J			
KT*100	K			
KT*150	L			
KT*200	M			
KT*250	N			
KT*300	O			
3RH	P			
49MAFH2	R			

Table 1

WARNING

Hazardous voltage.
Can cause death, serious personal injury, or property damage.
Disconnect power before working on this equipment.

Instructions

For replacement parts information or an application guide, visit our website at www.usa.siemens.com or contact your local Siemens sales office.

