

Instructions

E87010-A0051-T003-A3-50DX

August, 2012
Supersedes Issue of
January, 2000

Push Button Kit
Size 0 - 1 - 1³/₄
Class 50
Cat. No. 50HD54942

PUSH BUTTON KIT 50HD54942



WIRING DIAGRAM

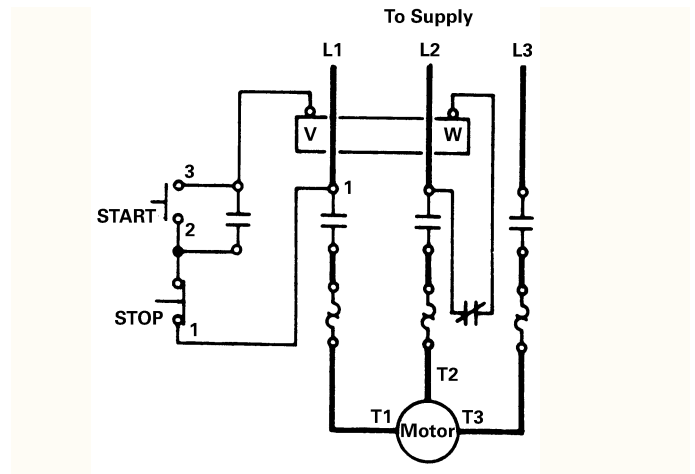


Figure 1

	<p>WARNING</p> <p>Hazardous voltage. Can cause death, serious personal injury, or property damage.</p> <p>Disconnect power before working on this equipment.</p>
--	---

INSTALLATION

- Remove knockout, thread wire through and snap in pilot control.
- Use the attached wires and make connections as shown in wiring diagram.

PUSH BUTTON KIT 50D54942 START-STOP (Figure 1)

- Connect push button terminal **1** to starter terminal **1**.
- Connect push button terminal **2** to starter terminal **2**.
- Connect push button terminal **3** to starter terminal **3**.