

Instructions

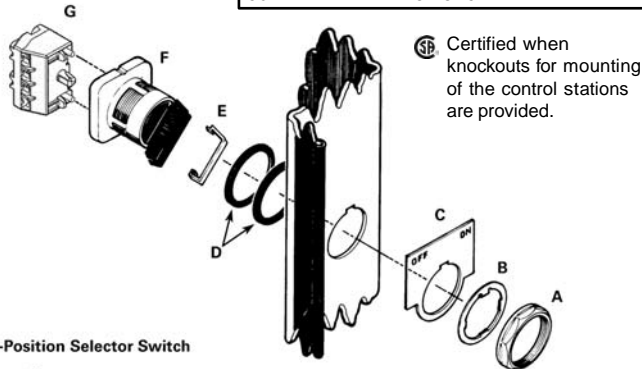
August, 2012
Supersedes Issue of
September, 2003

E87010-A0049-T003-A3-49SA

Selector Switch
Class 14, 17, 18, 22, 25, 26, 30,
32, 36, 37, 40, 43, 83, & 84
Cat. No. 49SAS01 thru 49SAS04

IMPORTANT
THESE INSTRUCTIONS DO NOT PURPORT TO COVER ALL DETAILS OR VARIATIONS IN EQUIPMENT, NOR TO PROVIDE FOR EVERY POSSIBLE CONTINGENCY TO BE MET IN CONNECTION WITH INSTALLATION, OPERATION OR MAINTENANCE. SHOULD FURTHER INFORMATION BE DESIRED OR SHOULD PARTICULAR PROBLEMS ARISE WHICH ARE NOT COVERED SUFFICIENTLY FOR THE PURCHASER'S PURPOSES, THE MATTER SHOULD BE REFERRED TO THE LOCAL SIEMENS SALES OFFICE.
THE CONTENTS OF THIS INSTRUCTION MANUAL SHALL NOT BECOME PART OF OR MODIFY ANY PRIOR OR EXISTING AGREEMENT, COMMITMENT OR RELATIONSHIP. THE SALES CONTRACT CONTAINS THE ENTIRE OBLIGATION OF SIEMENS. THE WARRANTY CONTAINED IN THE CONTRACT BETWEEN THE PARTIES IS THE SOLE WARRANTY OF SIEMENS. ANY STATEMENTS CONTAINED HEREIN DO NOT CREATE NEW WARRANTIES OR MODIFY THE EXISTING WARRANTY.

2-Position Selector Switch



3-Position Selector Switch

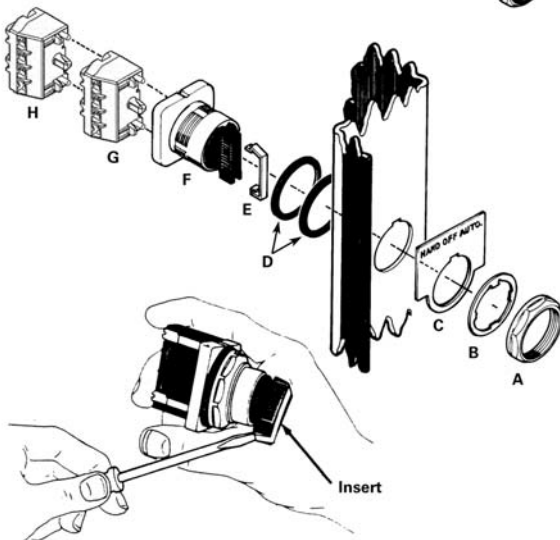


Figure 1

DESCRIPTION

The various selector switches provide a maintained 2-wire type of control for several Furnas starters and contactors (see table). In the AUTO position of the HAND-OFF-AUTO selector switch, a remote pilot device such as a pressure switch or a thermostat can be wired to give automatic control for the starter or contactor. Each switch accommodates mounting Furnas Class 52 contact blocks (NEMA A600 rating). The white insert on the selector switch short lever may be replaced with an insert of another color.

The flange of the standard width and extra wide enclosure for Class 17 and 18 control units contains 2 hole plugs and 1 punch mark for pilot control mounting. The hole plugs are gasketed for proper sealing and are easily removed by loosening the wing nut retainer on the back side. The push button operators for Classes 17 and 18 horizontal and column width enclosures and for the other control unit classes are mounted on the enclosure door.


Use according to the table:

Selector Catalog Number	For Use With	
	Class and Size	NEMA Type Enclosure
HAND-OFF-AUTO 49SAS01	14, 40 0 through 3 1/2 4 through 6	3, 4, 12 1, 3, 4, 12
or OFF-ON 49SAS04	17, 18, 36, 37 83, 84 (All sizes)	1, 4, 12/3R
FOR-OFF-REV 49SAS02	22, 43 2 through 6 (All sizes) 25, 26 (All sizes)	1 4, 12 1, 4, 12/3R
HIGH-OFF-LOW 49SAS03	30, 32 (All sizes)	1, 4, 12/3R


Contents of kits:

Each selector switch kit contains a Class 52 selector switch with legend plate and prewired contact block(s) as follows:

- 1 A lock nut
- 1 B index locking ring
- 1 C legend plate
- 2 D oil seal
- 1 E insert
- 1 F selector switch base
- 1 G normally open contact block (52BAK)
- 1 H normally closed contact block (52BAJ) for 3-position selector switches only



WARNING
Hazardous voltage.
Can cause death, serious personal injury, or property damage.
Disconnect power before working on this equipment.

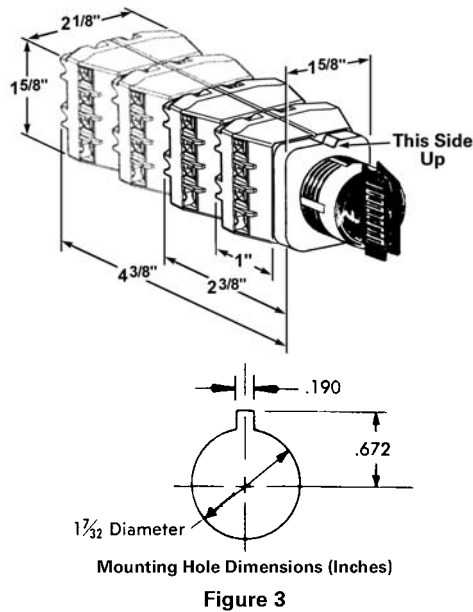


CAUTION
Maintain 1/2 inch minimum clearance through air between uninsulated live parts, such as contact block terminals, and enclosure.

INSTALLATION

A maximum of 8 Furnas Class 52 contact blocks can be used with each selector switch; arrange blocks not to exceed four levels. Check enclosure depth for adequate space and the 1/2 inch air clearance noted in the warning. Figure 2 shows dimensions (in inches) of the base with contact blocks. The contact blocks may be attached to the base before or after installing the selector switch. Mounting the contact blocks first avoids the problems of limited access in an enclosure.

(For Engineering Reference Only - Rev. G)



Mounting Hole

1. Determine the selector switch mounting hole location.
 - a. For a flange mounted selector switch, select one of the pilot control mounting locations (hole plug or punch mark).
 - b. For a door mounted pilot control, refer to appropriate drawings or the enclosure for a suitable location.
 - c. Mounting hole dimensions are shown in Figure 3. The operators require mounting on 2 1/4 inch minimum centers.
2. Make the mounting hole in the enclosure.
 - a. For the Class 17 or 18 control unit, remove the hole plug at the selected location.
 - b. To cut a 1 7/32 inch diameter hole, use a punch such as a Greenlee Knock-out Punch number 730-S. Then use a keyway punch, such as a Greenlee number 730-K or 720, to cut the keyway. The keyway should be at the top of the hole for proper alignment of the legend plate.

Mounting Selector Switch

Using wrench number 52MAWA or 52MAWB facilitates assembly and prevents scoring of the lock nut **A**, however, neither tool is required for installation.

1. Remove lock nut **A**, index locking ring **B** and legend plate **C** from the selector switch base **F**. If a different color lever insert is required, pry out white insert with a small screwdriver as shown in Figure 1 detail. Snap in new color insert.
2. With oil seal **D** positioned on selector switch base **F**, install the base through the mounting hole with the mounting hole with the notched side of the base facing up as shown in Figure 2.
3. Position legend plate **C** and index locking ring **B** on the selector switch base, engaging the tab on the index locking ring in the legend plate and mounting hole keyways.
4. Install lock nut **A** and tighten to 15 ft. lbs.

Wiring Selector Switch

Connect the switch unit wire to the starter as follows:

- Red wire** - Connect to L1. For starters supplied with transformers connect to terminal on secondary fuse block.
- Yellow wire** - Connect to top terminal (3) on the auxiliary interlock.
- Orange wire** - Connect to remote pilot devices.

