

Instructions

E87010-A0048-T003-A3-49SA

August, 2012
Replaces Issue of
December, 1999

Push Button Kit For
NEMA 4X Enclosures Class 14,
22, 30, 40, & 43
Cat. No. 49SAPS5

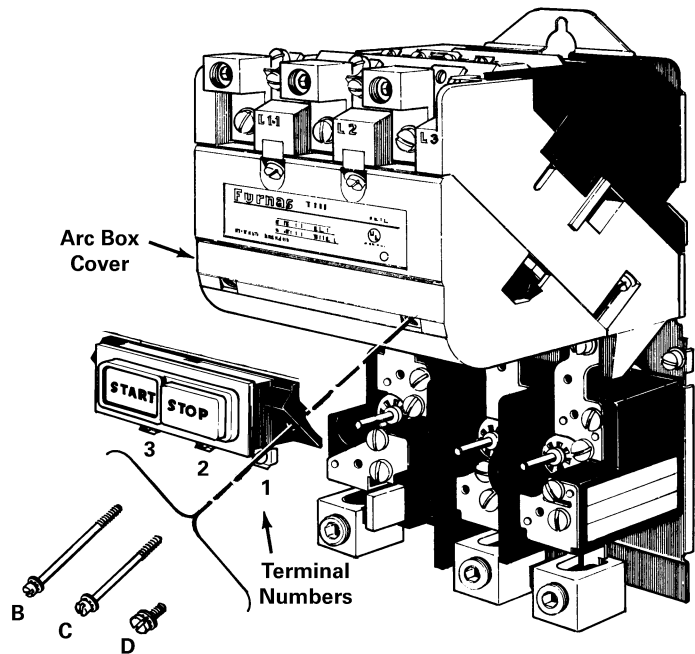
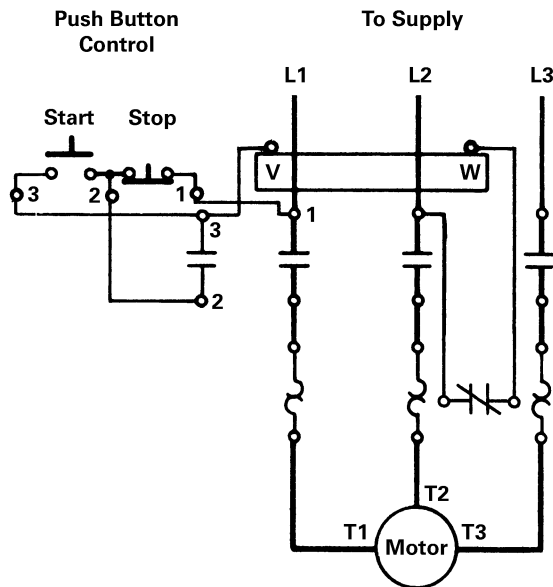


Figure 1

DESCRIPTION

This push button kit provides a momentary 3-wire type of control for use with Furnas Innova starters and contactors in NEMA type 4X enclosures. The electrical switch (A, Figure 1) is mounted on the control inside the enclosure. Two mechanical operators (G, Figure 2) are installed on the enclosure cover to actuate the push buttons on the electrical switch.

Use with NEMA type 4X enclosures for Classes 14, 22, 30, 40, and 43 controls, sizes 00 through 2½.

Rating: NEMA B600 contacts.

Contents of kit, catalog number 49SAPS5:

- 1 A START-STOP push button switch with wire in suitable quantity, length, and size for the installation.
- 3 sets of size 6-32 screws or self-tapping screws as follows:
 - 2 B screws to replace arc box cover screws for Model P units, sizes 2 and 2½
 - 2 C screws to replace arc box cover screws for Model P units, sizes 00 through 1¾
 - 2 D self-tapping screws for mounting on Model F arc box covers with predrilled holes, sizes 00 through 2½
- 2 E oil tight boots
- 2 F gaskets
- 2 G operator assemblies, one START and one STOP

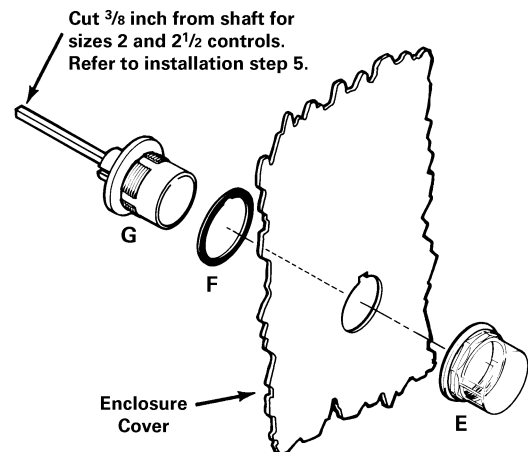
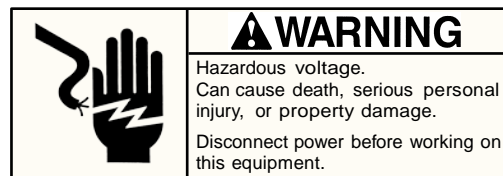


Figure 2

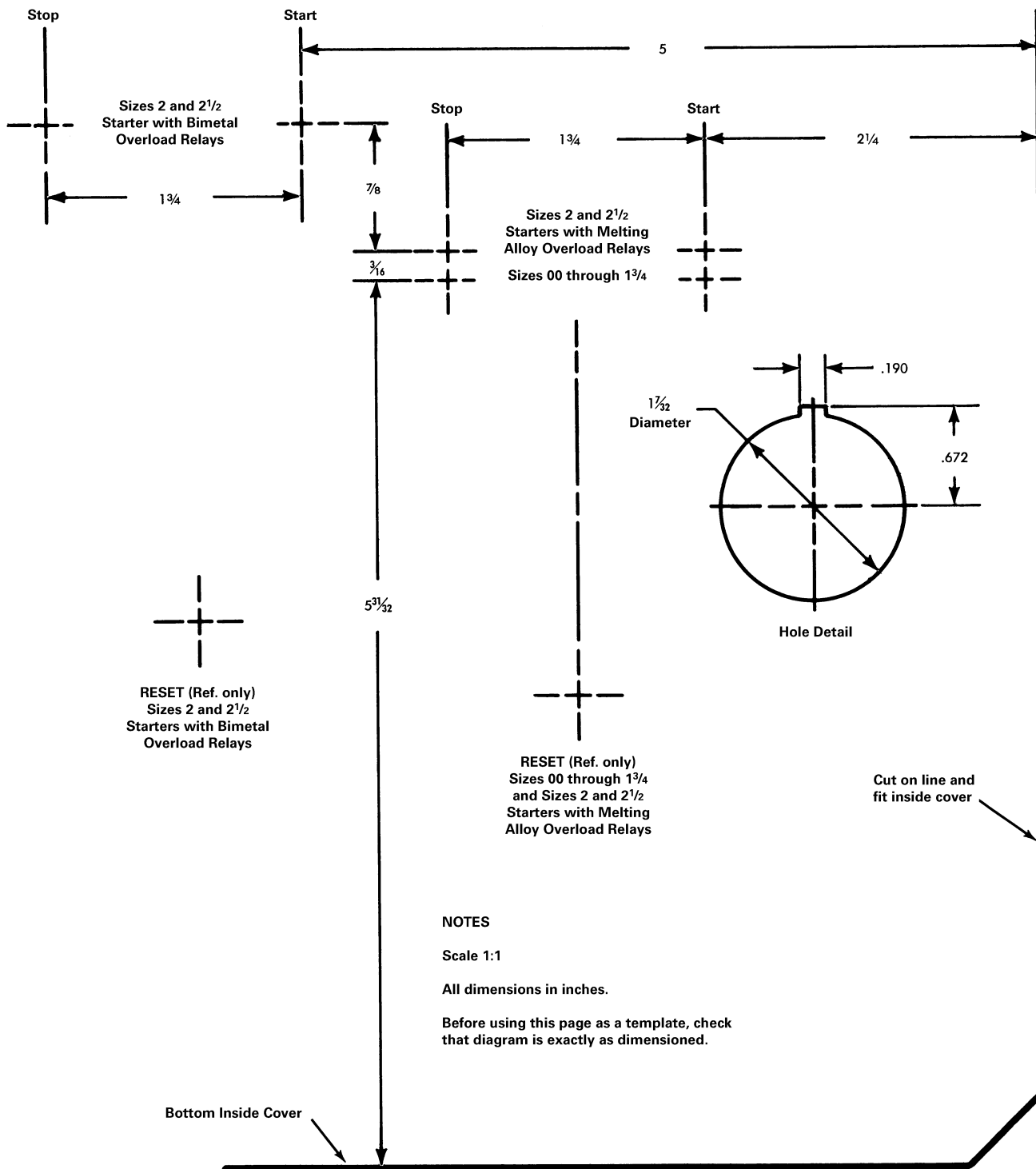
(For Engineering Reference Only - Rev. B)

INSTALLATION

1. Secure the push button switch A to the arc box cover on the control inside the enclosure as shown in Figure 1.
 - a. For arc box covers with predrilled accessory mounting holes, secure the switch to the cover with screws D.
 - b. For arc box covers where the accessory mounting holes align with the cover screw holes, remove and discard existing arc box cover screws. Secure the cover and the switch to the starter or contactor with the applicable screws B or C.
2. Make electrical connection as shown in the wiring diagram in Figure 1.
3. Locate holes for the two operator assemblies G in the enclosure cover using the template on this instruction sheet.
4. Mounting hole dimensions are shown on the template. To cut a $1\frac{7}{32}$ inch diameter hole, use a punch, such as Greenlee Knock-out Punch number 730-S. Then use a keyway punch, such as Greenlee number 730-K or 720, to cut the keyway. The keyway should be at the top of the hole for proper alignment of the engraved nomenclature on the push button.
5. For sizes 2 and 2 $\frac{1}{2}$ controls, cut $\frac{3}{8}$ inch from the shaft end of each operator assembly G as indicated in Figure 2. Make sure shaft end is free of burrs.
6. With gasket F positioned on operator assembly G, install each operator assembly from inside the cover through the applicable mounting hole. Secure in position with oil tight boot E..

Push Button Kit 49SAPS5
 Starter Sizes 00 through 2½

START and STOP Operation Location
 Inside Cover
 2 Holes Required



NOTES

Scale 1:1

All dimensions in inches.

Before using this page as a template, check that diagram is exactly as dimensioned.