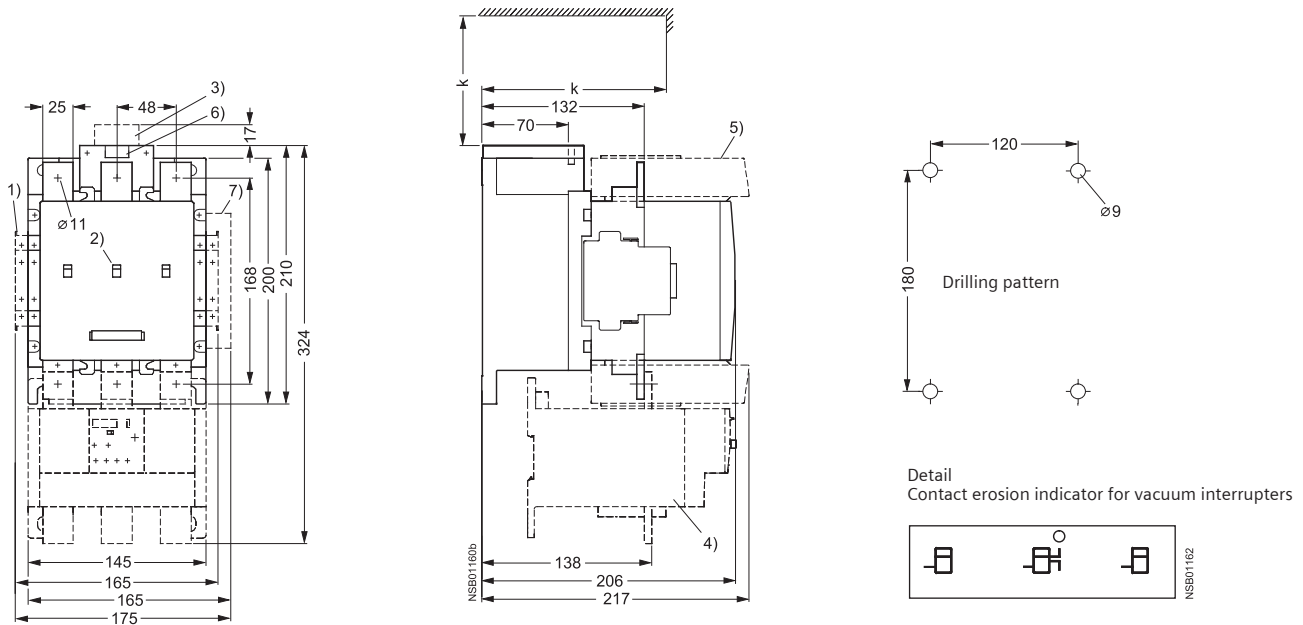


Dimension Drawings

Class 40 Vacuum Contactors

Class 40 vacuum contactor
 Size 4 and 5
 with auxiliary switch block, laterally mountable,
 mounted overload relay and box terminals,
 laterally mounted electronics module with remaining lifetime indication.



Class 40 vacuum contactor
 Size 6
 with auxiliary switch block, laterally mountable,
 mounted overload relay and box terminals,
 laterally mounted electronics module with remaining lifetime indication.

