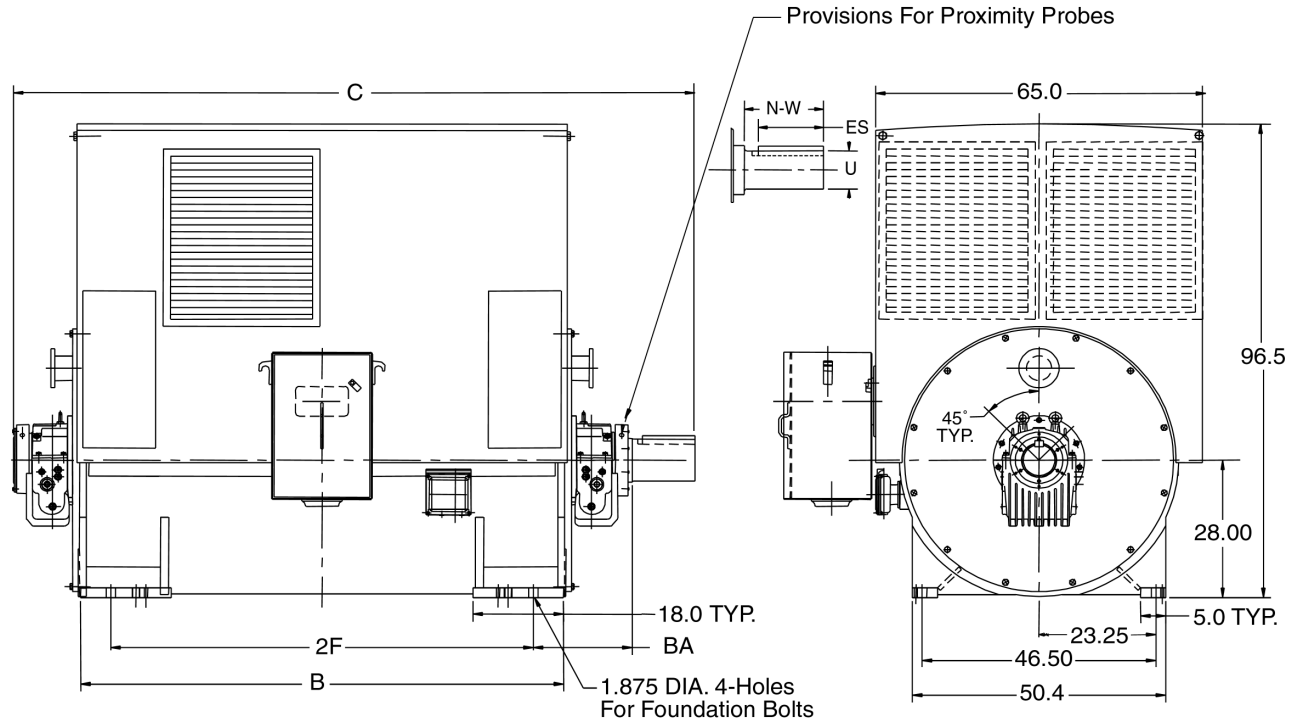


Dimension Prints for Above NEMA Motors ANSS-60000-0403

**Type CG – Horizontal – Open Drip Proof / Weather Protected Type I
 Sleeve Bearing With Provisions For External Proximity Probes – Direct Connected
 Frames 1122 / 1124 – 4 Pole & Slower**



Standard Dimensions in Inches

TYPE ¹¹	SHAFT				KEY			BA	1122 FRAME				1124 FRAME			
	U	R ²	N-W	V ⁴	S ³	ES	B		C	2F	Approx. Ship Wt. (Lbs.)	B	C	2F	Approx. Ship Wt. (Lbs.)	
I	6.5	5.662	11.00	10.60	1.50	9.00	19.25	88.0	125.5	76.0	30,500	96.0	133.5	84.0	35,100	
II	7.0	6.014	11.75	11.35	1.75	9.75	19.25	88.0	126.2	76.0	30,500	96.0	134.2	84.0	35,100	
III	7.5	6.521	12.50	12.10	1.75	10.50	21.00	88.0	130.3	76.0	30,500	96.0	138.3	84.0	35,100	
IV	8.0	6.873	13.25	12.85	2.00	10.75	21.00	88.0	131.1	76.0	30,500	96.0	139.1	84.0	35,100	
V	8.5	7.381	14.00	13.60	2.00	11.50	21.00	88.0	131.8	76.0	30,500	96.0	139.8	84.0	35,100	

Notes

- See Section 3 for selection of main terminal box.
- R = Bottom of key to opposite side of shaft.
- S = Width of keyseat.
- V = Length of shaft available for coupling.
- Jackscrew holes and dowel holes are provided at each foot.
- Shims may be necessary under motor feet for direct connection.
- All machines may rotate in one direction only.
- Rotor end float = 0.5"
- End float of LEF coupling = 0.19"
- For motors without provisions for externally mounted proximity probes, use print in Part 2 of this section.
- Some shaft types are not available for all HP combinations. Consult factory.

Lubrication Per Bearing
4 Pole & Slower
290-350 SUS @ 100°F
Oil capacity per bearing 8.5 qt. for Shaft Types I & II 13.7 qt. for Shaft Types III, IV, & V

Certification

Customer _____ P.O. _____ S.O. _____ Item _____

HP _____ RPM _____ FRAME _____ PH/HZ/Volts _____

Rotation Facing Shaft Extension CW CCW Either

By _____ Date _____

Not for construction, installation or application purposes unless certified.